

**Milano**  
Italian Elegance. Global Presence



2018

GLOBAL CATALOGUE

# INDEX

## LUXURY FAUCETS

10	MY DREAM SERIES	49	PROJECT SERIES
12	MICRO SERIES	50	VADOO SERIES
14	KING SERIES	52	GLORY SERIES
16	KAPPA SERIES	53	PRATO SERIES
18	MAC SERIES	54	HARO SERIES
20	VIFA SERIES	55	TIMEX SERIES
22	DIAMOND SERIES	56	CONCEPT SERIES 3 IN 1
24	DECOR SERIES	57	WIN SERIES 3 IN 1
26	DECENT SERIES	58	NOPALI SERIES
28	LIBRA SERIES	59	PLUTO SERIES
30	PACIFIC SERIES	60	SUPER VIRGO SERIES
32	ARTIC SERIES	62	TARKI, QUEEN & LEXUS SERIES
34	FIONA GOLD SERIES	64	ECO MILANO SERIES
36	ROSE GOLD SERIES	66	SIGMA SERIES
37	GOLD SERIES	67	ASCOT SERIES
38	PRINCE SERIES	68	CROWN PLUS SERIES
40	VERDI SERIES	69	CLASSIC SERIES
41	DALLAS SERIES	70	KITCHEN MIXER SERIES
42	POWER SERIES	71	WALL MOUNTED SERIES
43	CHARMING SERIES	72	ART BASIN MIXER SERIES
44	VENEZIA SERIES	74	SELF CLOSING TAP & MIXER
46	DON SERIES	75	SENSOR MIXER & TAP
47	LEAF SERIES	78	TAPS
48	OTTO SERIES		

## RAIN SHOWERS & SHOWER ACCESSORIES

80	BEST - THERMOSTATIC RAIN SHOWER	90	CONCEALED RAIN SHOWER
82	TALENT RAIN SHOWER	94	SHOWER SET
84	RAIN SHOWER	94	SHOWER KIT
86	SHOWER PANEL	96	SHOWER COLUMN

## BATHROOM COMFORTS

99	CLASSIC SHATTAFS	101	TRAVEL SHATTAF
100	PVC & BRASS SHATTAFS	101	SQUATTY POTTY

## BATHROOM ACCESSORIES

103	GOLF SERIES	112	GRACE SERIES
104	NIRVANA SERIES	113	DORA SERIES
105	ANKA SERIES	114	CROWN SERIES
106	RUBY SERIES	115	ROYAL SERIES
107	AZZY SERIES	116	CLASSIC SERIES
108	ROSE GOLD SERIES	117	LILDA SERIES
109	GOLD SERIES	118	CERAMIC SERIES
110	FIONA GOLD SERIES	119	PRINCE SERIES
111	DIAMOND SERIES	119	SQUARE SERIES
		120	BATH CARE ACCESSORIES

## ACCESSORIES FOR SPECIAL ASSISTANCE - 122

## WELLNESS

126	WATERFALL SERIES	144	SHOWER CUBICAL
133	MASSAGE BATHTUBS	145	BATH SCREEN
138	OUTDOOR SPA	146	BATHTUB
139	STEAM SHOWER	149	SHOWER TRAY



# INDEX

---

## PLUMPING ACCESSORIES

---

152 BOTTLE TRAP, ANGLE VALVE & FLOOR DRAIN

## WATER PUMP & PRESSURE CONTROLER - 155

---

## SANITARYWARE

---

162 VALENCIA COLLECTION  
164 AVIOLA COLLECTION  
166 CLYMORE COLLECTION  
168 ACQUA COLLECTION  
170 WC'S TRAP SERIES  
176 ASIAN W.C  
177 UNDERCOUNTER BASIN  
178 ART BASIN  
180 SEMI RECESSED  
181 WASH BASIN  
183 WALL HUNG WASH BASIN  
184 CONCEALED WC AND FITTINGS  
185 FLUSH TANK & VALVE

## VANITY & MIRROR

---

188 VANITY  
239 MIRROR WITH LED  
241 MIRROR CABINET  
178 MIRROR  
179 MIRROR CABINET

## KITCHEN SINK

---

245 SINGLE BOWL KITCHEN SINK  
246 DOUBLE BOWL KITCHEN SINK  
251 LAY ON KITCHEN SINK

## ELECTRIC WATER HEATER

---

262 COMPACT WATER HEATER  
264 STORAGE WATER HEATER  
270 INSTANT WATER HEATER

## WATER PURIFIER

---

278 RO + UV  
280 RO  
282 HOT AND COLD  
284 BEVERLY  
286 GRAVITY  
289 UNDER THE SINK  
290 WATER FILTER

# MILANO DESIGN ELEMENTS

Combination of square and round styles. The square element takes the man-machine safety chamber into account; using built-in bubbler; square faucets are flat, but does not lose proportion; the circular body style complies standard coverage plate holes (diameter 50); all the cambered surfaces have beautiful proportion design and consistent process requirements.



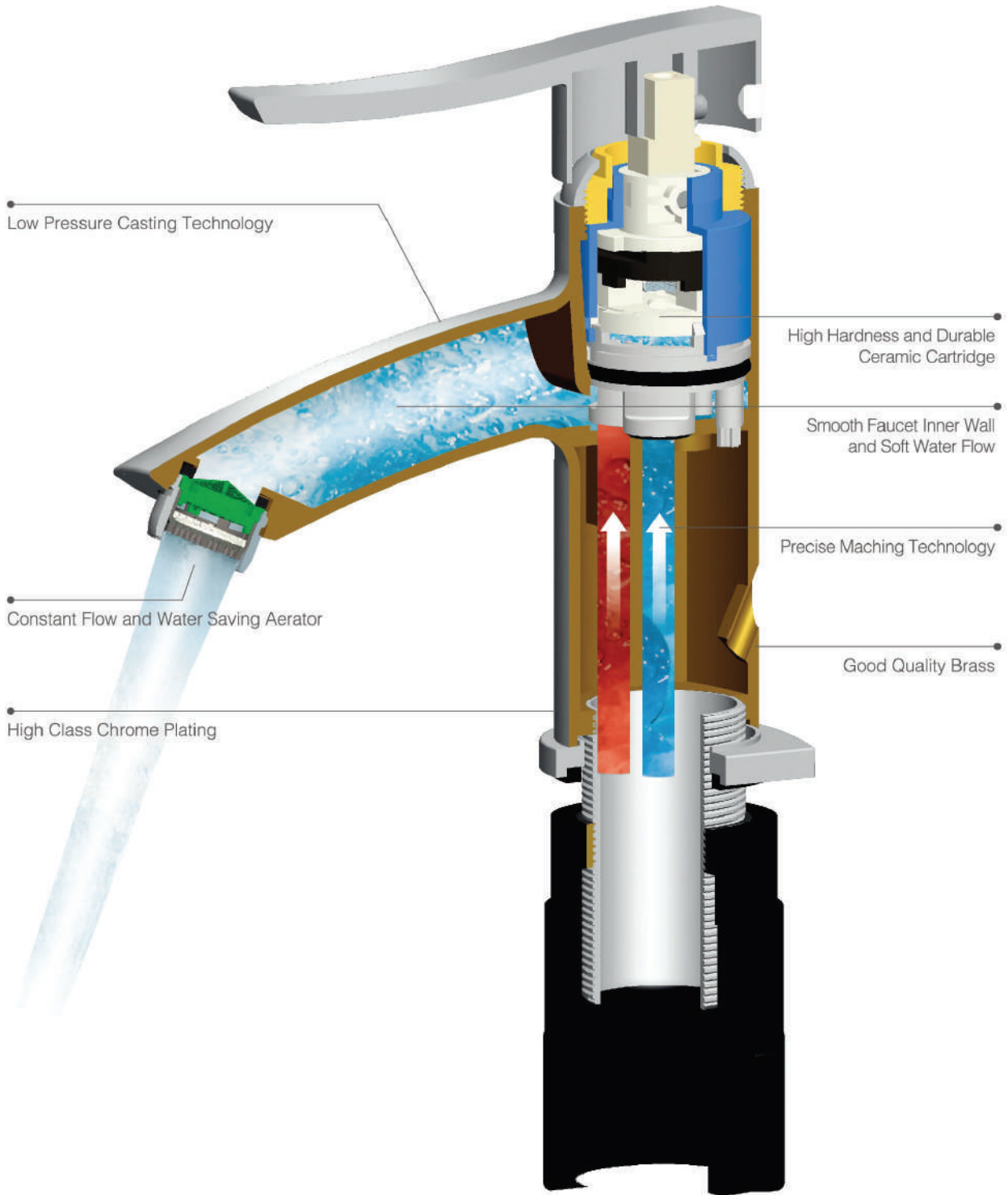
# LUXURY FAUCETS COLLECTION

The perfect combination of great design and automation, creating high quality faucets.





# **FAUCET WITH CONSTANT FLOW AND WATER SAVING FUNCTION**

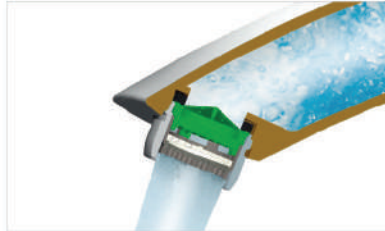




### CONSTANT FLOW

Constant flow and water saving aerator provides plentiful bubble and a comfortable bathing.

---



### LOW PRESSURE CASTING

Low pressure casting technology

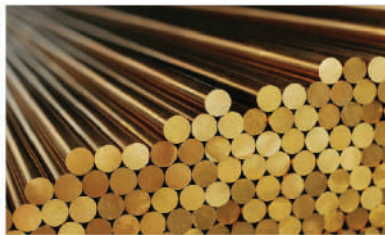
---



### PRECISE MACHINING

Precise machining technology.

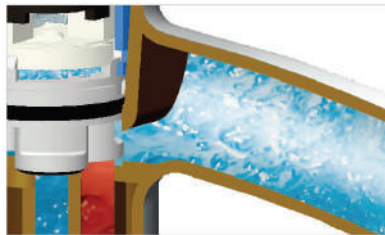
---



### GOOD QUALITY BRASS

Good quality brass material ensures perfect chrome plating surface.

---



### PRECISE CONNECTING

Smooth faucet inner wall and soft water flow.

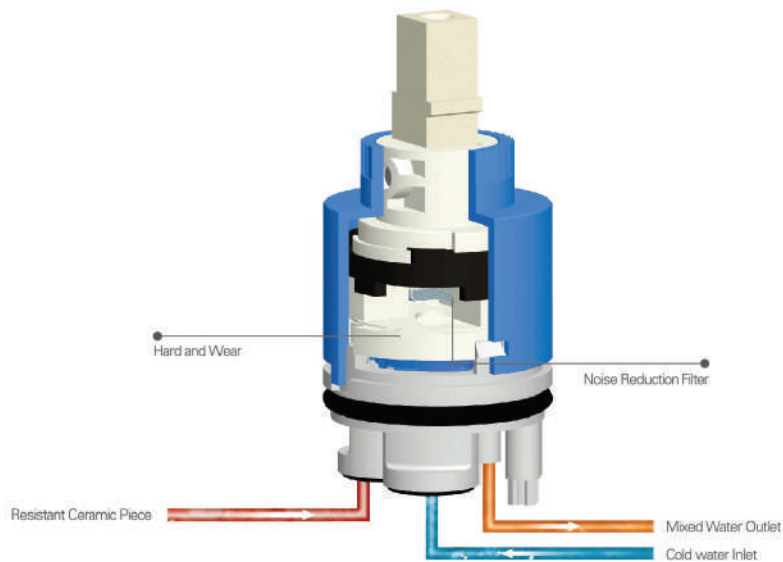
---



### MIRROR CHROME PLATING

High class chrome plating technology makes our faucet surface bright and sharp. With the merit of anti-acid, anti-oxidant and strong adsorption, after long time using, the faucet surface is still lustrous and shining.

---



### PRECISE CARTRIDGE

High hardness and durable ceramic cartridge, with special noise reduction filter, provide good performance on daily use.

---

# TECHNICAL DETAILS

Single lever brass mixer with ceramic cartridge with elementary grease, Cartridge endurance of 0.5 Million left and right cycles.

Nickel plating of minimum thickness 8/10 micron and Chrome 0.25 - 0.30 micron. Hold water pressure up to 5Bar with tap hole 40mm dia. Temperature limit for use 80\* C. Mixer aerator is made of brass or ABS for smooth or soft flow of water and prevent splashing.

**Pop up waste:** Pop up waste made of chrome - plated brass in order to resist the limestone's attacks, apart from the horizontal rod, pop up waste is made of steel AISI 304, in order to withstand resistant to any movement.

**Flexible hose:** Brass parts are made of chrome - plated brass, as chrome - plating is more resistant to the limestone attacks. The inner hose of EPDM material and the external hose is made of stainless steel 304 grade.

## Technical details on Chemical Composition

Element	Cu	Pb	Sn	Fe	Al	Ni	As	P	Mn	Bi	Mg	Zn
%	59.5-60	1.3-1.6	0.20	0.07	0.5-0.7	0.13	0.10-0.15	0.0029	0.010	0.0005	0.0005	the rest

## Brass Bar

Element	Cu	Pb	Sn	Fe	Al	Ni	As	P	Mn	Bi	Mg	Zn
%	57	3.0	0.40	0.30	0.10	0.20	0.10-0.15	0.008	0.010	0.020	0.0005	the rest

## standard copper material details

BRASS INGOT						
Element	Cu	Pb	Sn	Fe	Al	Ni
Component	≥ 59.5-60	≥ 1.3-1.6	≥ 0.20	≥ 0.07	≥ 0.05-0.7	≥ 0.13

BRASS INGOT						
Element	As	P	Mn	Bi	Mg	Zn
Component	0.10-0.15	≥ 0.0029	≥ 0.010	≥ 0.0005	≥ 0.0005	the rest

BRASS INGOT						
Element	Cu	Pb	Sn	Fe	Al	Ni
Component	≥ 57	≥ 3.0	≥ 0.040	≥ 0.30	≥ 0.10	≥ 0.20

BRASS INGOT						
Element	As	P	Mn	Bi	Mg	Zn
Component	0.10-0.15	≥ 0.008	≥ 0.010	≥ 0.020	≥ 0.0005	the rest





The bathroom is your kingdom, the place where your day starts. It's a very special place which deserves personality and quality. The Italian touch, just like you would give to the rest of your home.



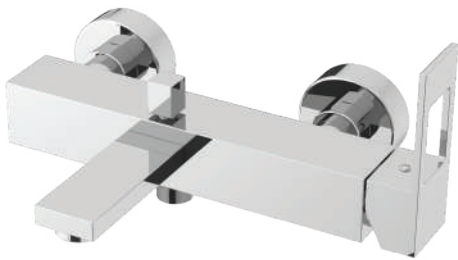
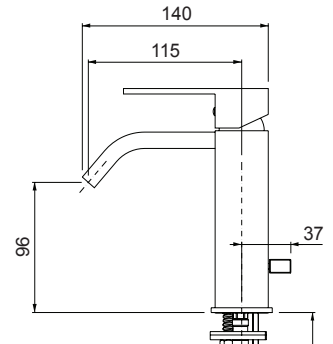
## MY DREAM SERIES





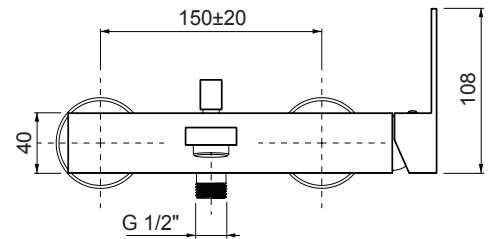
SINGLE LEVER WASH BASIN MIXER  
WITH BRASS POP-UP & WASTE

Item Code: 140100200521



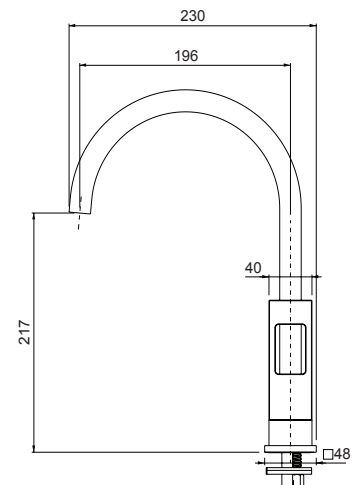
SINGLE LEVER BATH MIXER  
WITH SPOUT

Item Code: 140100100671



SINGLE LEVER KITCHEN SINK MIXER

Item Code: 140100300361





Designed to glorify any bathroom. Micro series is the missing Italian touch to your favorite room,



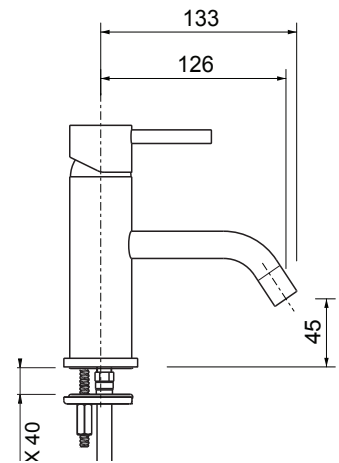
## MICRO SERIES



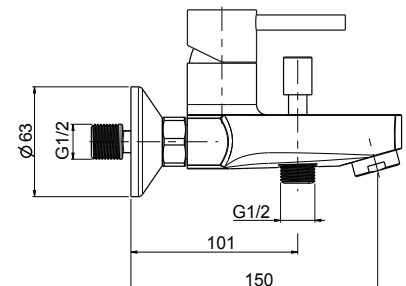


SINGLE LEVER WASH BASIN MIXER  
WITH BRASS POP-UP & WASTE

Item Code: 140100200501



SINGLE LEVER  
BATH SHOWER MIXER  
Item Code: 140100100660



Indulge with Italian design. A collection synonymous of class and royalty: King Series



# KING SERIES

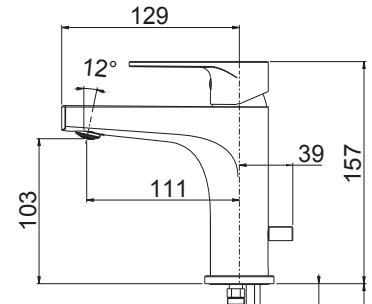






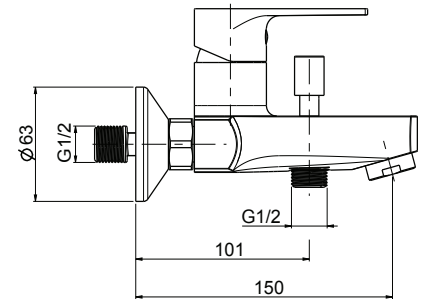
SINGLE LEVER WASH BASIN MIXER  
WITH BRASS POP-UP & WASTE

Item Code: 140100200499

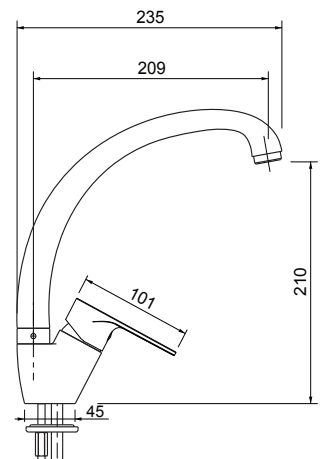


SINGLE LEVER BATH SHOWER  
MIXER

Item Code: 140100100656



SINK MIXER MOVEABLE  
Item Code: 140100300351



Very smooth lines and a sweet compact design for this Italian series perfect for your bathroom.



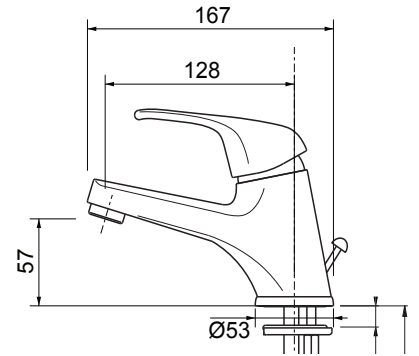
## KAPPA SERIES





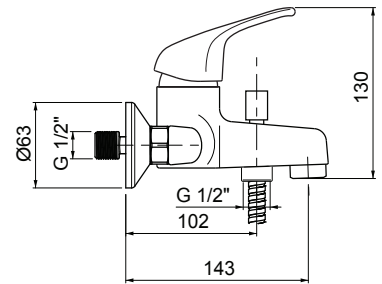
SINGLE LEVER WASH BASIN MIXER  
WITH BRASS POP-UP & WASTE

Item Code: 140100200500



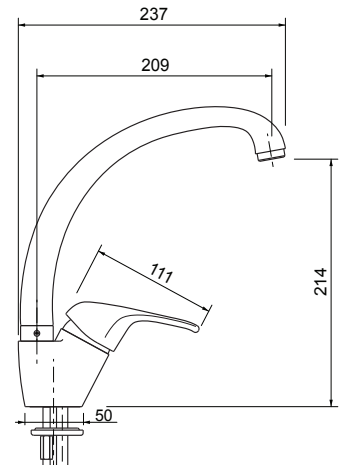
SINGLE LEVER  
BATH SHOWER MIXER

Item Code: 140100100657



SINK MIXER MOVEABLE

Item Code: 140100300355





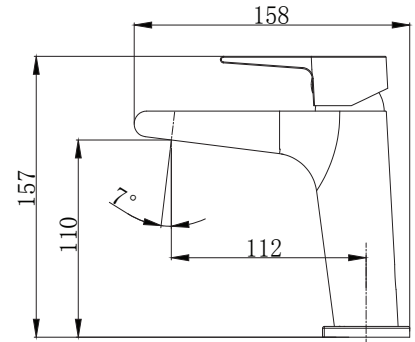
A sophisticated design emerging from a combination of classic tradition and modern style.

**MAC SERIES**

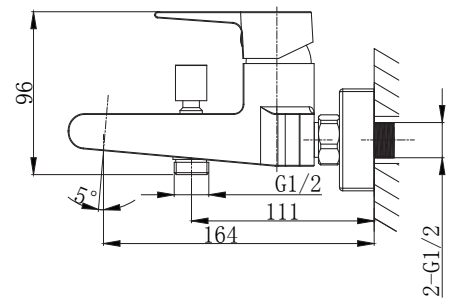




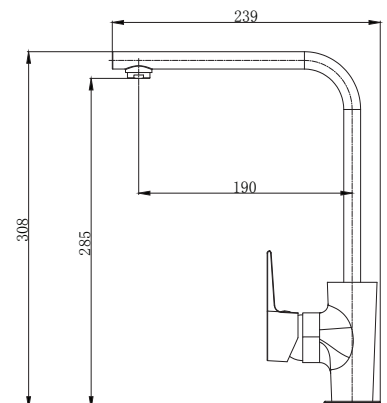
SINGLE LEVER WASH BASIN MIXER  
WITH BRASS POP-UP & WASTE  
Item Code: 140100200518



SINGLE LEVER  
BATH SHOWER MIXER  
Item Code: 140300200046



SINGLE LEVER KITCHEN  
SINK MIXER  
Item Code: 140100300359





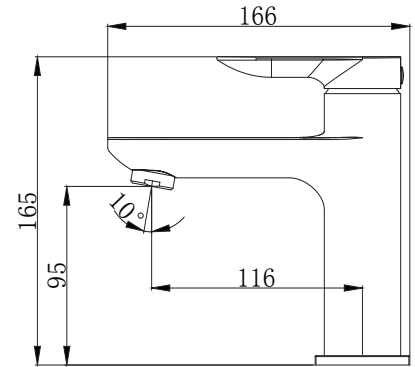
A design which conveys personality and elegance to the whole bathroom. Vifa series the Spanish touch that was missing.

**VIFA SERIES**

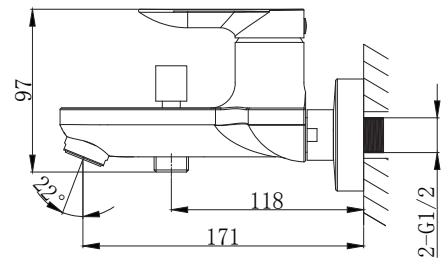




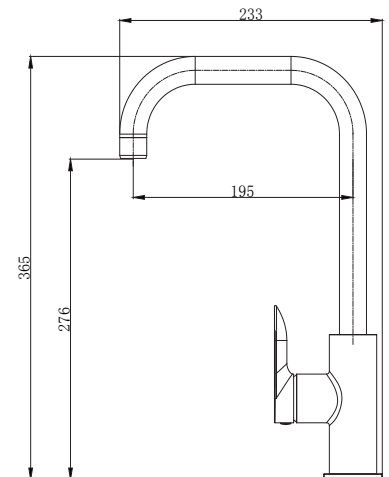
SINGLE LEVER WASH BASIN MIXER  
WITH BRASS POP-UP & WASTE  
Item Code: 140100200519



SINGLE LEVER  
BATH SHOWER MIXER  
Item Code: 140300200047



SINGLE LEVER SINK  
MIXER  
Item Code: 140100300360



The diamond series boasts class, artistry, functionality, quality and craftsmanship to suit your design and functional need. With smooth edges and beautiful proportions, this series would fit into any modern bathroom.

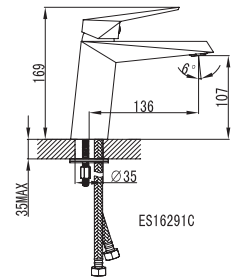
## **DIAMOND SERIES**





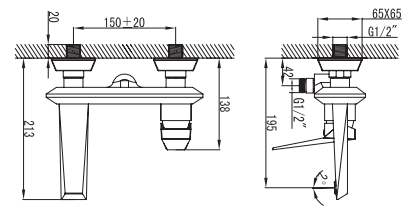
SINGLE LEVER WASH BASIN MIXER  
WITH BRASS POP-UP & WASTE

Item Code: 140100200368



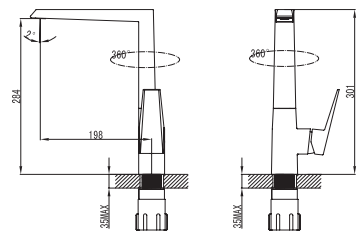
SINGLE LEVER BATH SHOWER MIXER

Item Code: 140100100484



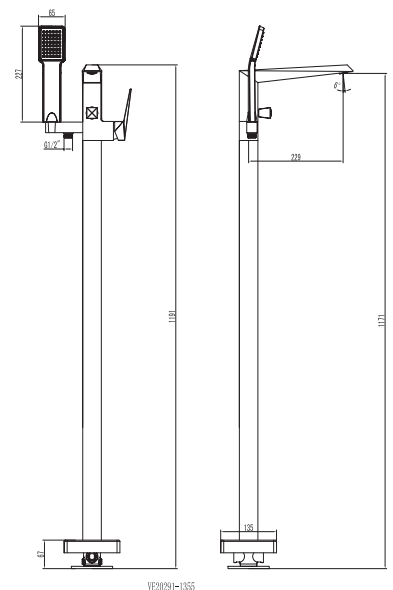
SINGLE LEVER SINK MIXER

Item Code: 140100300227



FREESTANDING BATH-SHOWER  
MIXER

Item Code: 140100100525





A royal bathroom is an highly designed ambient. It's a very special place which deserves personality and quality. Decor series is the ultimate missing touch.

## **DECOR SERIES**

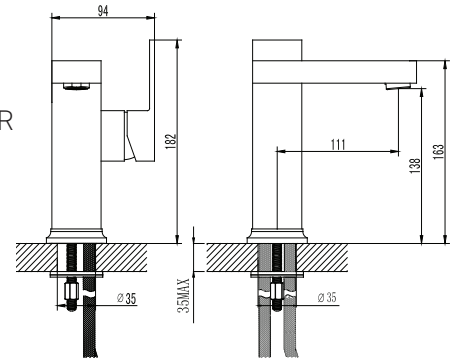






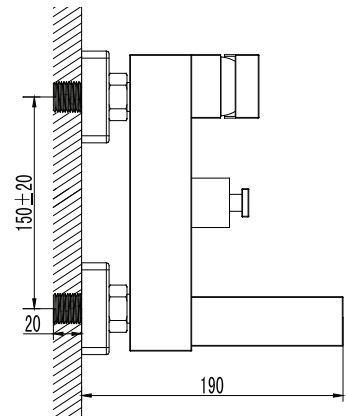
SINGLE LEVER WASH BASIN MIXER  
WITH BRASS POP-UP & WASTE

Item Code: 140100200476



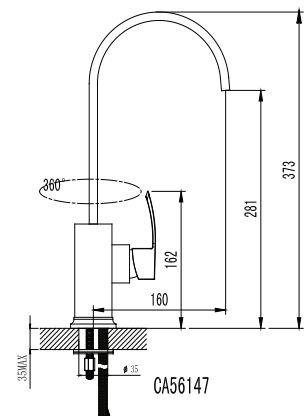
SINGLE LEVER BATH SHOWER  
MIXER

Item Code: 140100100628



SINGLE LEVER SINK MIXER

Item Code: 140100300327



A design inspired by the graceful bearing of models who cat walk the ramp. Trendy but not bizarre. The undulant lines and curves reflect the charming stance of T-stage models. Its contraction and lucidity is a soundless declaration of fashion and style which touches you deep inside.

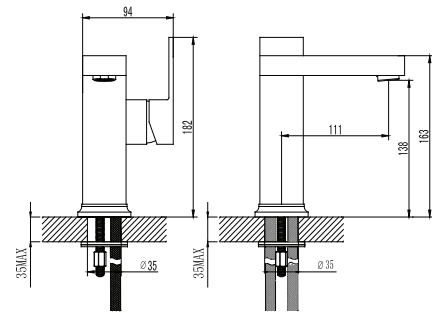
## **DECENT SERIES**





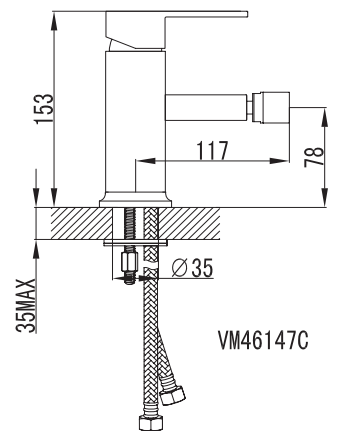
SINGLE LEVER WASH BASIN MIXER  
WITH BRASS POP-UP & WASTE

Item Code: 140100200198



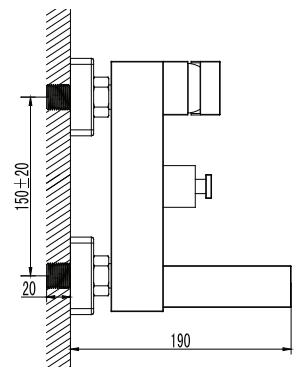
SINGLE LEVER BIDET MIXER  
WITH BRASS POP-UP & WASTE

Item Code: 140100400096



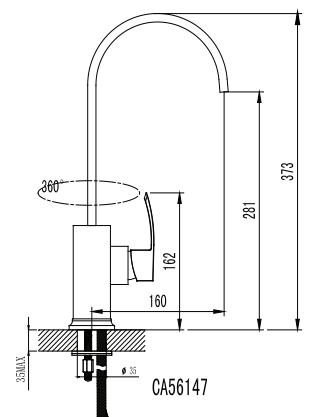
SINGLE LEVER BATH SHOWER  
MIXER

Item Code: 140100100237



SINGLE LEVER SINK MIXER

Item Code: 140100300177





Libra is the Latin word for balance. Libra series is the perfect balance among tradition and modernity, high functionality and class design.

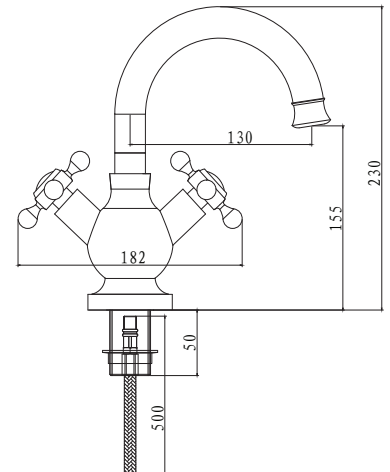
## LIBRA SERIES



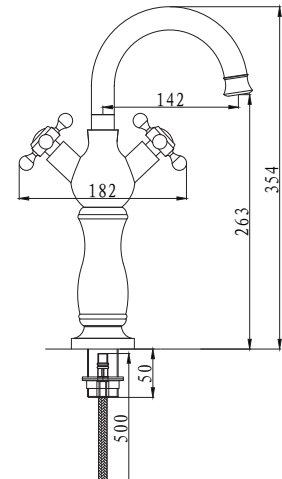




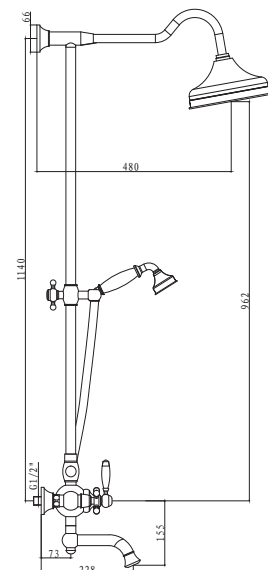
BLACK & GOLD CRYSTAL  
BASIN MIXER  
Item Code: 140100200488



BLACK & GOLD CRYSTAL  
ART BASIN MIXER  
Item Code: 140100300341



BATH MIXER WITH  
RAIN SHOWER  
Item Code: 140100100644



Inspired by the largest ocean on earth; Pacific series brings relaxing and loving ambience to your bathroom. A mix of Gold & Chrome finish adds unique & majestic gaze to your life style.

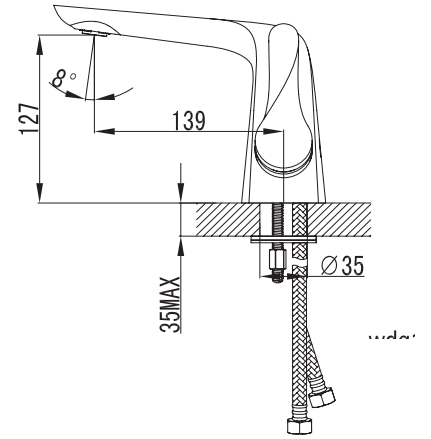
## **PACIFIC SERIES**





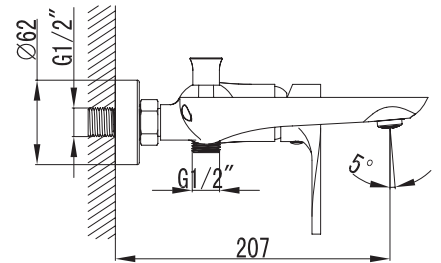
SINGLE LEVER WASH BASIN MIXER  
WITH BRASS POP-UP & WASTE

Item Code: 140100200453



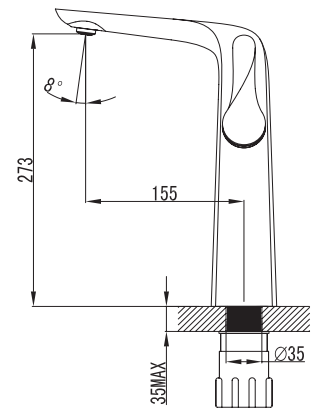
SINGLE LEVER BATH  
SHOWER MIXER

Item Code: 140100100603



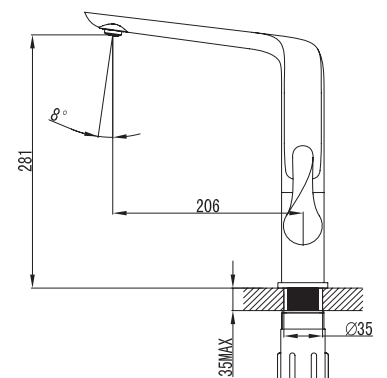
SINGLE LEVER ART BASIN MIXER

Item Code: 140100200454



SINGLE LEVER SINK MIXER

Item Code: 140100300313



Covered with thick ice white & chrome finish, this series forges its character from our icy Arctic ocean. This collection also takes us close to nature's heart.

## **ARCTIC SERIES**

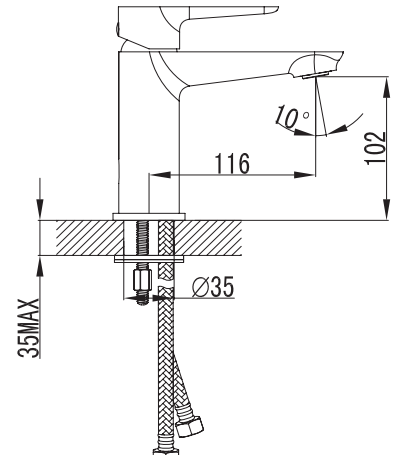






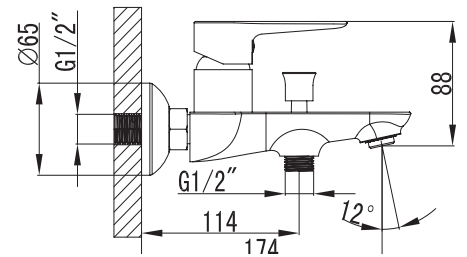
SINGLE LEVER WASH BASIN MIXER  
WITH BRASS POP-UP & WASTE

Item Code: 140100200452



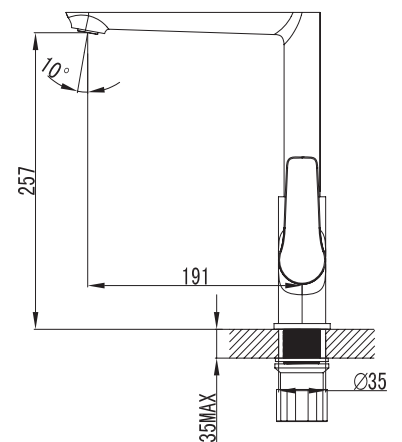
SINGLE LEVER BATH  
SHOWER MIXER

Item Code: 140100100602



SINGLE LEVER SINK MIXER

Item Code: 140100300312



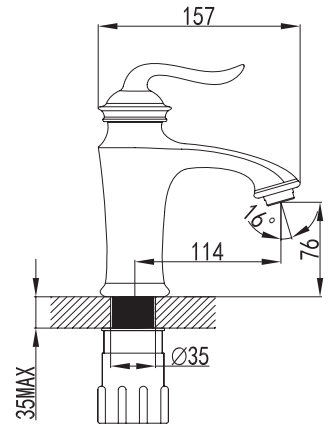
The bathroom is your fortress where you can build and conceive your future. Fiona gold gives that personal touch, just like you would give to the rest of your home.

## **FIONA GOLD SERIES**

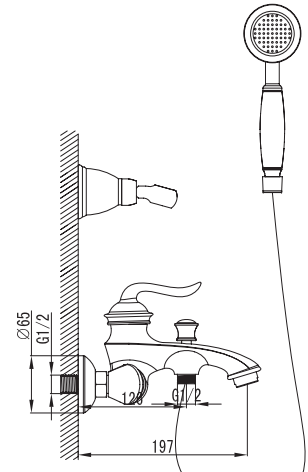




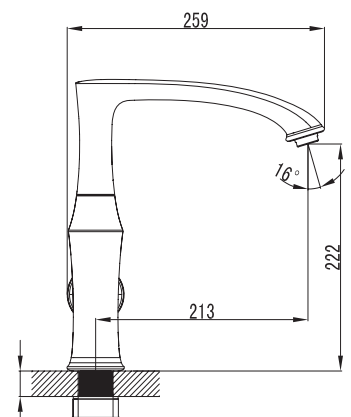
SINGLE LEVER WASH BASIN MIXER  
WITH BRASS POP-UP & WASTE  
Item Code: 140100200393



SINGLE LEVER BATH SHOWER MIXER  
Item Code: 140100100532



SINGLE LEVER SINK MIXER  
Item Code: 140100300260



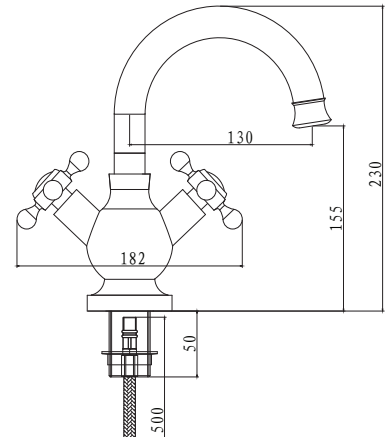
Classic lines recalling ancient designs and royal rose gold color to decor your bathroom in a unique style.

# ROSE GOLD SERIES



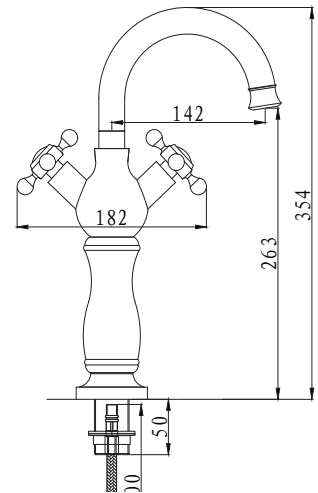
WASH BASIN MIXER

Item Code: 140100200456



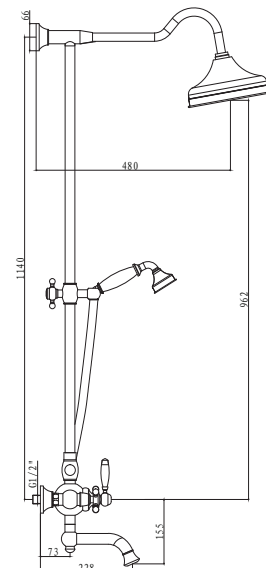
ART BASIN MIXER

Item Code: 140100200457



BATH MIXER WITH RAIN SHOWER

Item Code: 140100100609





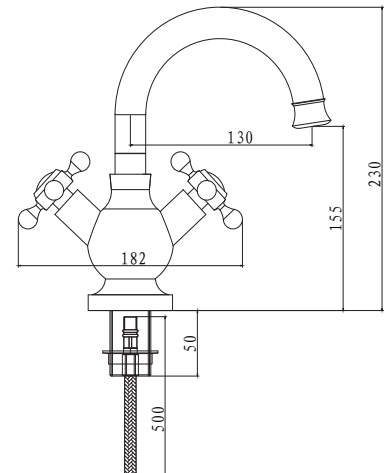
Following the same concept of the previous collection, Gold series adds a further regal decor touch to your bathroom.

# GOLD SERIES



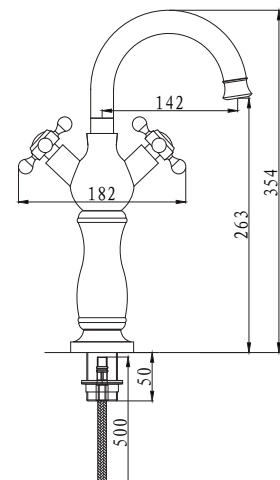
WASH BASIN MIXER

Item Code: 140100200446



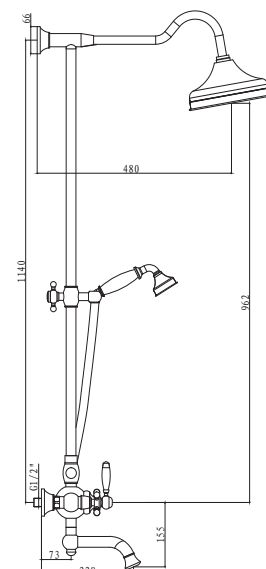
ART BASIN MIXER

Item Code: 140100200458



BATH MIXER WITH RAIN SHOWER

Item Code: 140300200043



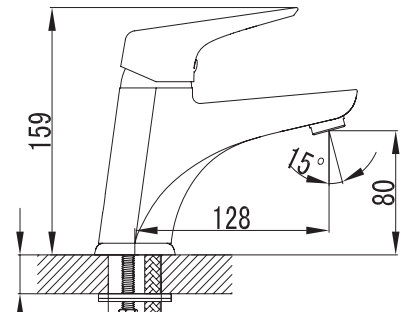
Rejuvenate yourself with this series. A selected design to add a touch of class and elegance to any bathroom.

## **PRINCE SERIES**

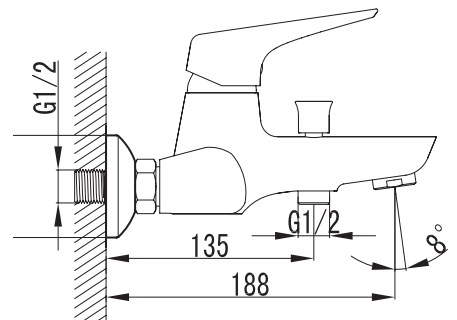




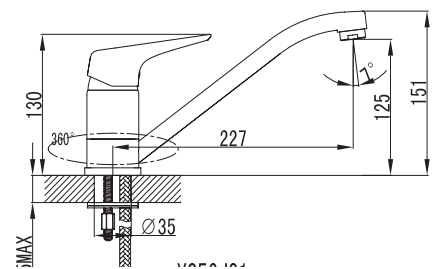
SINGLE LEVER WASH BASIN MIXER  
WITH BRASS POP-UP & WASTE  
Item Code: 140100200216



SINGLE LEVER BATH SHOWER  
MIXER  
Item Code: 140100100260



SINGLE LEVER SINK MIXER  
Item Code: 140100300203



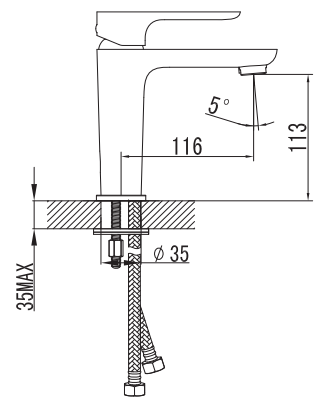
Designed to suit your requirements. Crafted with the latest Italian technology, this series makes you feel perfectly in peace with nature.

# VERDI SERIES



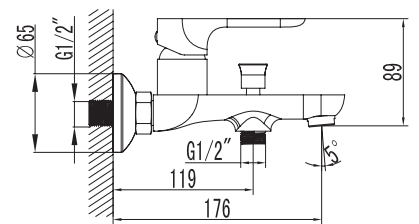
SINGLE LEVER WASH BASIN MIXER  
WITH BRASS POP-UP & WASTE

Item Code: 140100200389



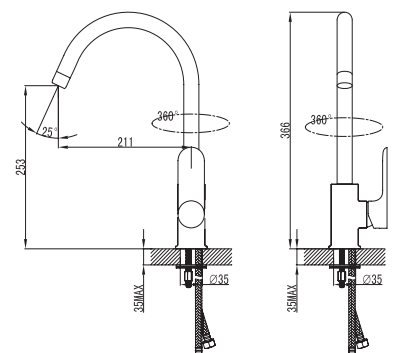
SINGLE LEVER  
BATH SHOWER MIXER

Item Code: 140100100531



SINGLE LEVER SINK MIXER

Item Code: 140100300272





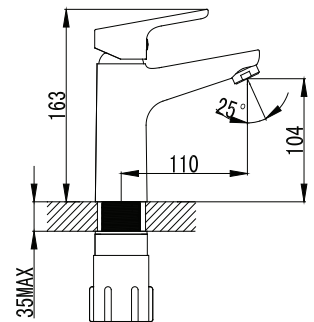
Designed to selectively concentrate on the environment to give a definite elegance to your ambient with its smooth lines.

# DALLAS SERIES



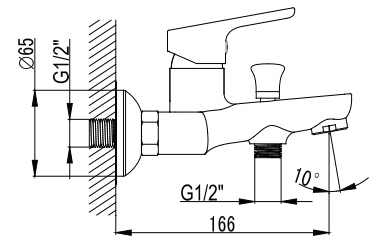
SINGLE LEVER WASH BASIN MIXER  
WITH BRASS POP-UP & WASTE

Item Code: 140100200388



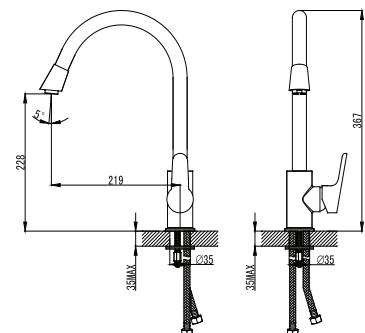
SINGLE LEVER  
BATH SHOWER MIXER

Item Code: 140100100530



SINGLE LEVER SINK MIXER

Item Code: 140100300273

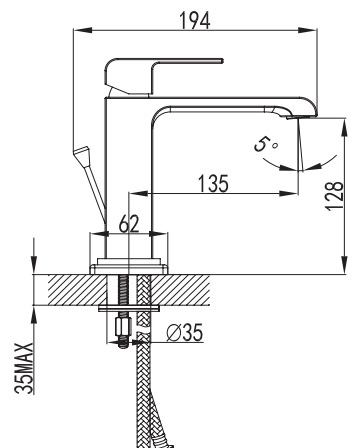


A design which conveys personality and elegance to the all bathrooms. Power series is the perfect choice for any contemporary or modern design ambient.

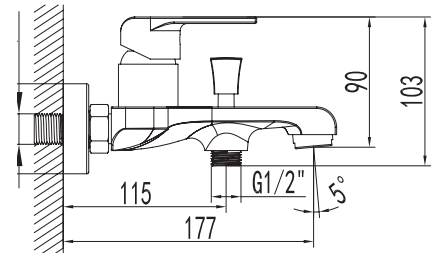
# POWER SERIES



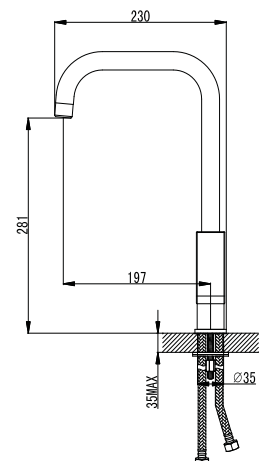
SINGLE LEVER WASH BASIN MIXER  
WITH BRASS POP-UP & WASTE  
Item Code: 140100200486



SINGLE LEVER BATH SHOWER MIXER  
Item Code: 140100100641



SINGLE LEVER SINK MIXER  
Item Code: 140100300339



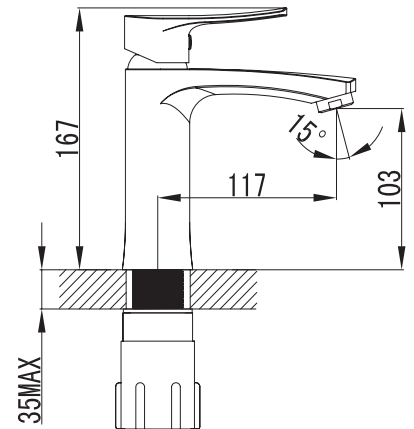
A sophisticated design emerging from a combination of classic tradition and modern style.

# CHARMING SERIES



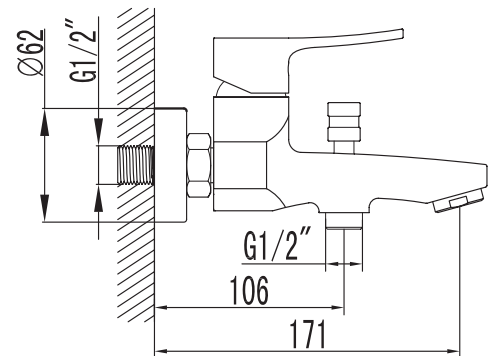
SINGLE LEVER WASH BASIN MIXER  
WITH BRASS POP-UP & WASTE

Item Code: 140100200375



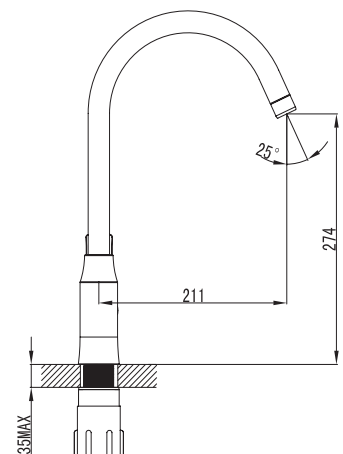
SINGLE LEVER  
BATH SHOWER MIXER

Item Code: 140100100491



SINGLE LEVER SINK MIXER

Item Code: 140100300338



Sleek and classy style that suits all your design and architectural needs.

## **VENEZIA SERIES**

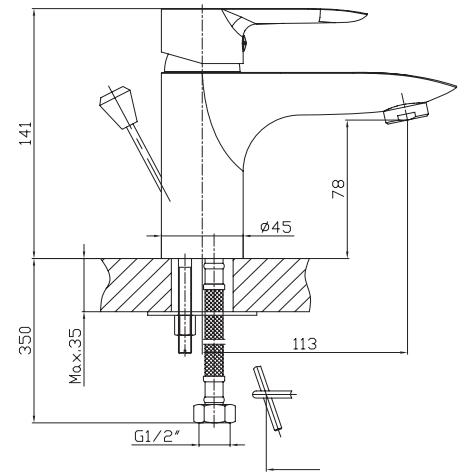






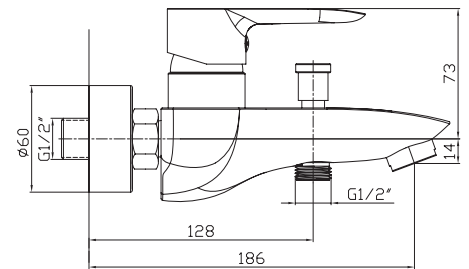
SINGLE LEVER WASH BASIN MIXER  
WITH BRASS POP-UP & WASTE

Item Code: 140100200338



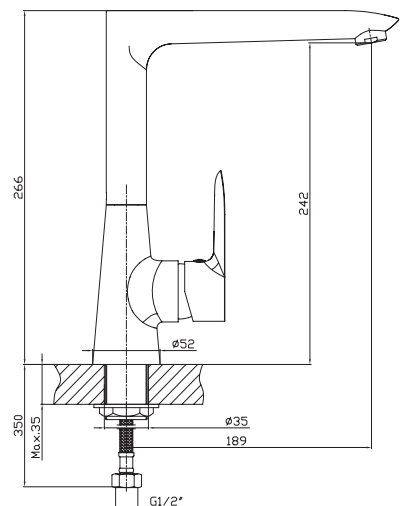
SINGLE LEVER BATH  
SHOWER MIXER

Item Code: 140100100406



SINGLE LEVER SINK MIXER

Item Code: 140100300232



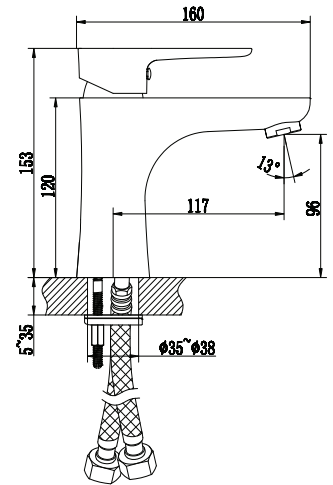
Rich tones and elegant shapes have a stunning visual impact on the senses. Don series has an aura with a soothing effect on you.

## DON SERIES

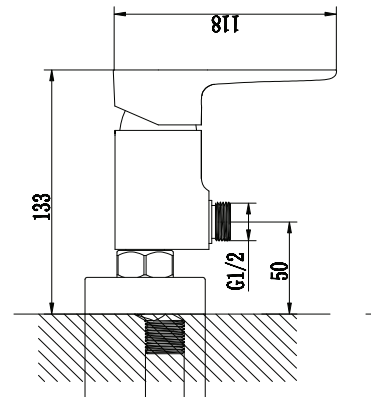


SINGLE LEVER WASH BASIN MIXER  
WITH BRASS POP-UP & WASTE

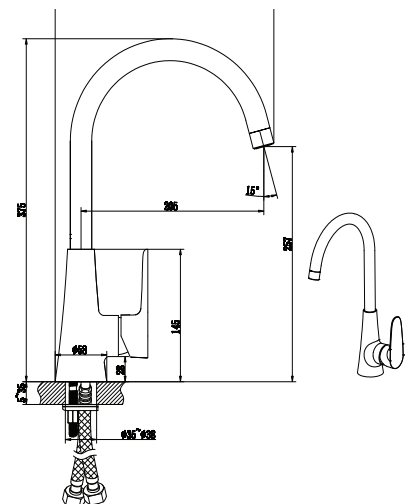
Item Code: 140100200315



SINGLE LEVER  
BATH SHOWER MIXER  
Item Code: 140100100358



SINGLE LEVER SINK MIXER  
Item Code: 140100300315



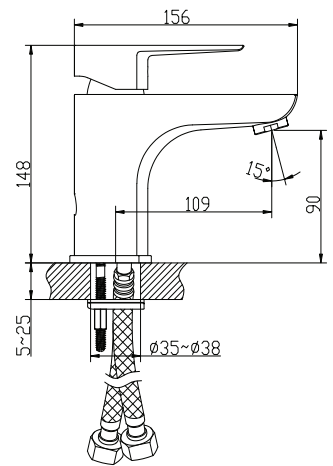
Leaf peculiarity and expressiveness is so unique as you are. A design that goes straight to your heart.

# LEAF SERIES



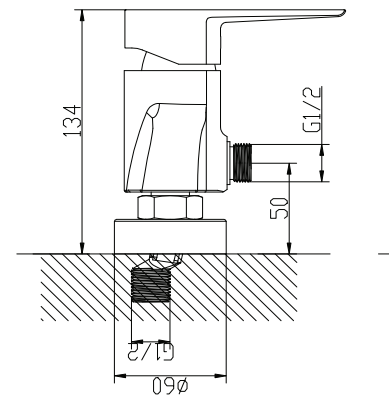
SINGLE LEVER WASH BASIN MIXER  
WITH BRASS POP-UP & WASTE

Item Code: 140100200316



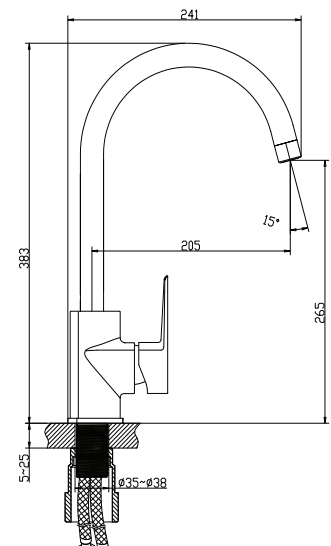
SINGLE LEVER  
BATH SHOWER MIXER

Item Code: 140100100359



SINGLE LEVER SINK MIXER

Item Code: 140100300316



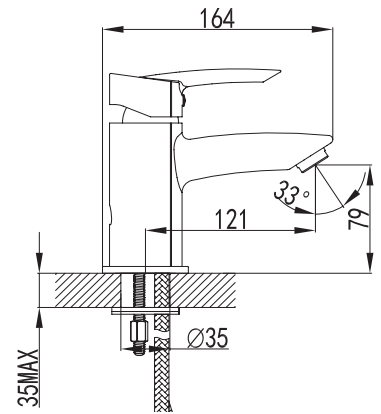
Elegant but not appariscent the collision between its parts makes it simple, yet bold. Otto, designed to convey confidence.

# OTTO SERIES



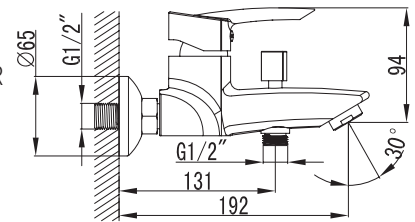
SINGLE LEVER WASH BASIN MIXER WITH BRASS POP-UP & WASTE

Item Code: 140100200203



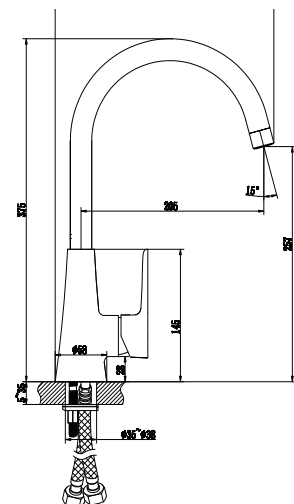
SINGLE LEVER BATH SHOWER MIXER

Item Code: 140100100243



SINGLE LEVER SINK MIXER

Item Code: 140100300182





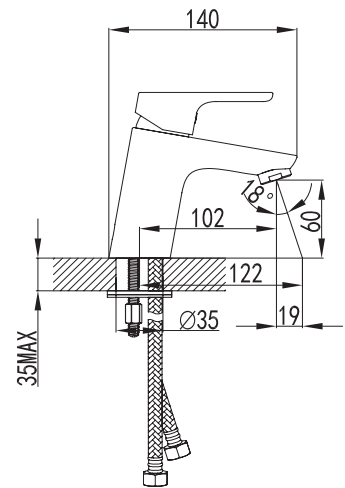
Project series design illustrates the typical qualities of the modern world. With a simple symmetric touch of elegance, you will surely love to have it in your bathroom.

# PROJECT SERIES



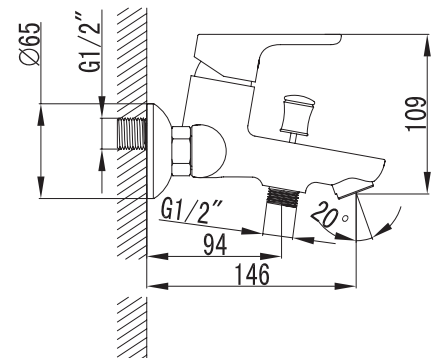
SINGLE LEVER WASH BASIN MIXER WITH BRASS POP-UP & WASTE

Item Code: 140100200314



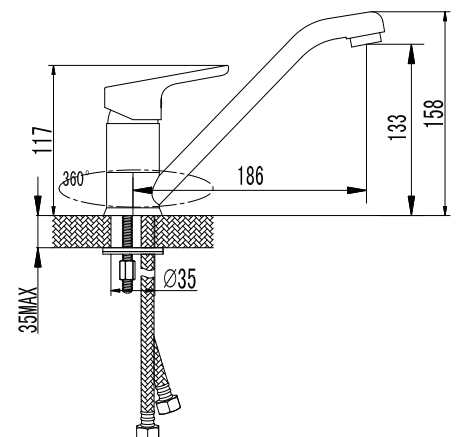
SINGLE LEVER BATH SHOWER MIXER

Item Code: 140100100357



SINGLE LEVER SINK MIXER

Item Code: 140100300223



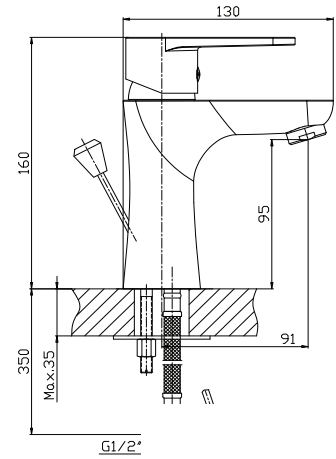
Vadoo series presents a variety of styles which combine the modern and the traditional, the simple and the complex, the trendy and the vintage.

## **VADOO SERIES**

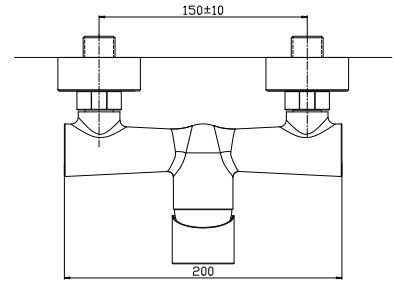




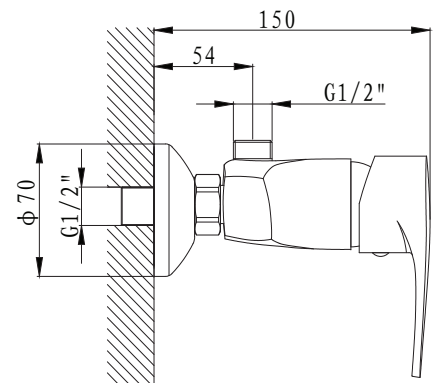
SINGLE LEVER WASH BASIN MIXER  
WITH BRASS POP-UP & WASTE  
Item Code: 140100200349



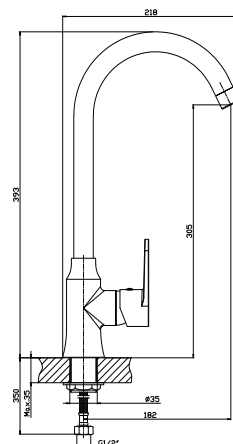
SINGLE LEVER BATH SHOWER MIXER  
Item Code: 140100100450



SINGLE LEVER WALL  
SHOWER MIXER  
Item Code: 140100100441



SINGLE LEVER SINK MIXER  
Item Code: 140100300245



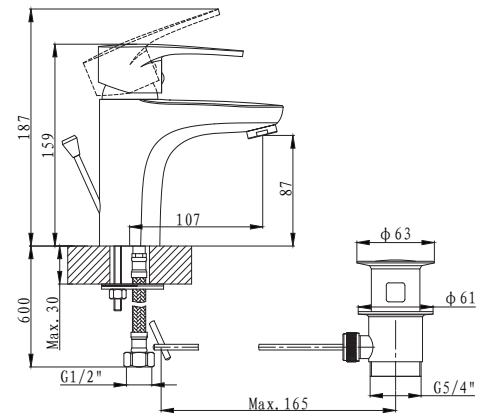
A wide range of elegant choices for a collection which exudes class.

# GLORY SERIES



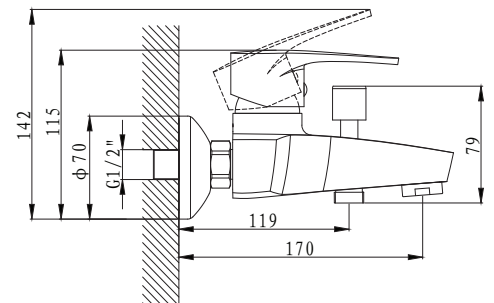
SINGLE LEVER WASH  
BASIN MIXER WITH BRASS  
POP-UP & WASTE

Item Code: 140100200317



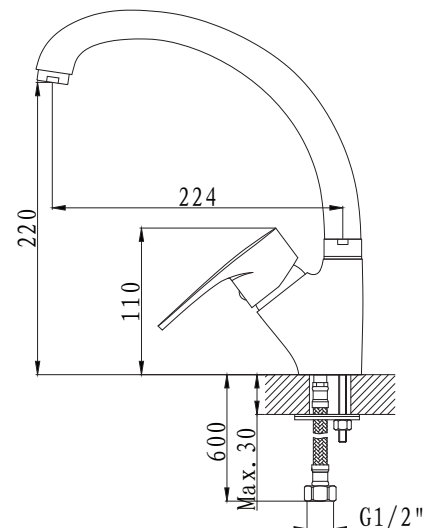
SINGLE LEVER  
BATH SHOWER MIXER

Item Code: 140100100362



SINGLE LEVER SINK MIXER

Item Code: 140100300224





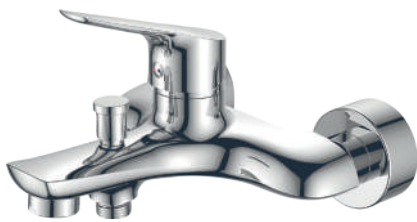
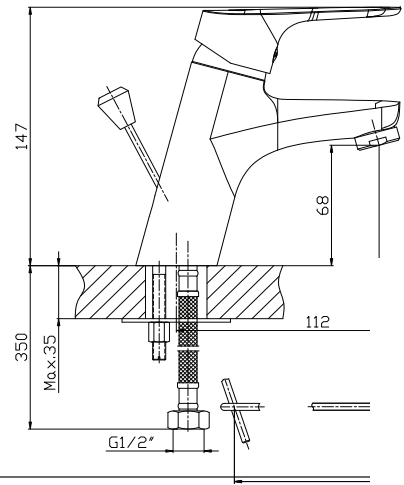
Inspired by water, its smooth curves and natural flow, perfectly amplifies the simplicities and complexities of nature.

# PRATO SERIES



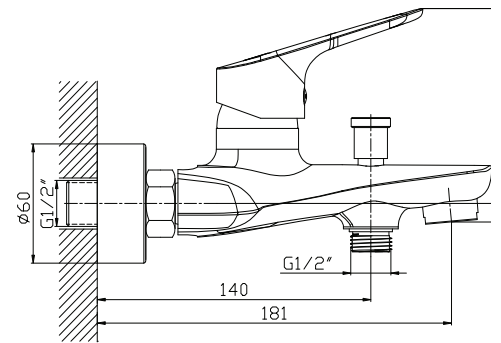
SINGLE LEVER WASH BASIN MIXER  
WITH BRASS POP-UP & WASTE

Item Code: 140100200364



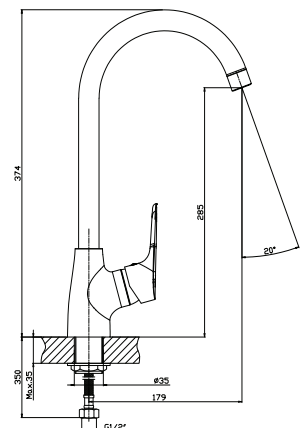
SINGLE LEVER  
BATH SHOWER MIXER

Item Code: 140100100471



SINGLE LEVER SINK MIXER

Item Code: 140100300266

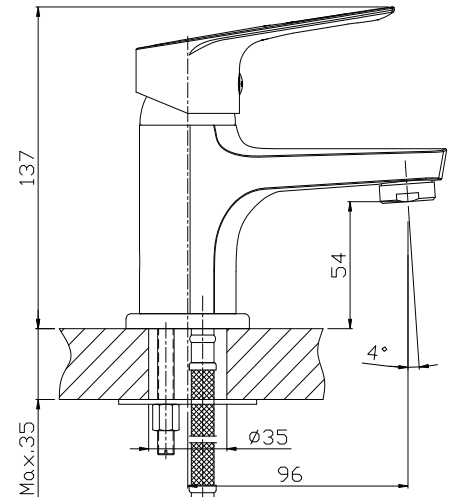


The Haro Series centers on individuality and personality. With its unique design you can add a touch of your own taste to your routine.

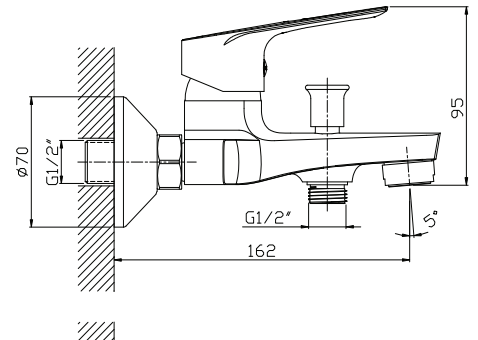
# HARO SERIES



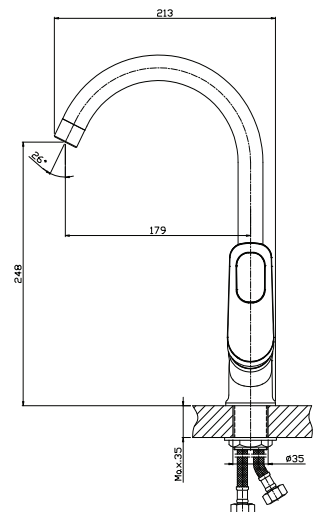
SINGLE LEVER WASH BASIN MIXER  
WITH BRASS POP-UP & WASTE  
Item Code: 140100200437



SINGLE LEVER  
BATH SHOWER MIXER  
Item Code: 140100100588



SINGLE LEVER  
KITCHEN SINK MIXER  
Item Code: 140100300299



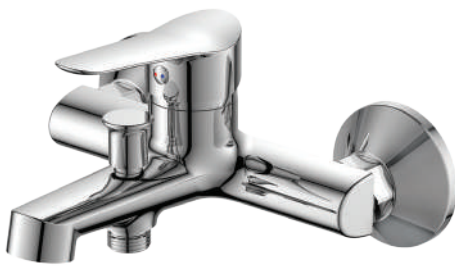
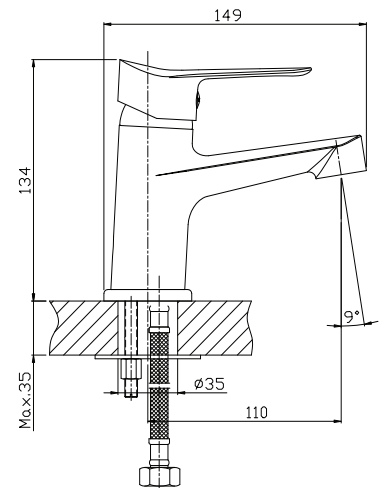
With its simplicity, Timex series provides you with efficiency. The geometric design is fit for any modern day household.

# TIMEX SERIES



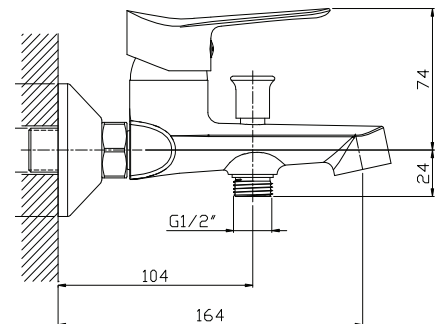
SINGLE LEVER WASH BASIN MIXER  
WITH BRASS POP-UP & WASTE

Item Code: 140100200439



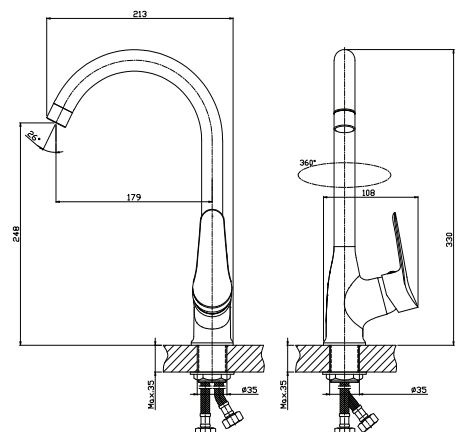
SINGLE LEVER  
BATH SHOWER MIXER

Item Code: 140100100589



SINGLE LEVER  
KITCHEN SINK MIXER

Item Code: 140100300298



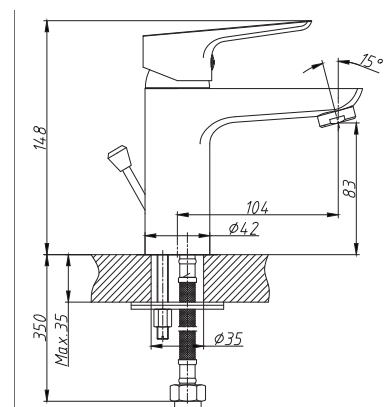
A perfect design that meets every requirement for daily comfort. Enhance your guest bathroom with elegance and style.

# CONCEPT SERIES 3 IN 1 SET

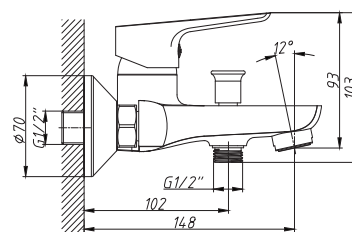
Item Code: 140100600013



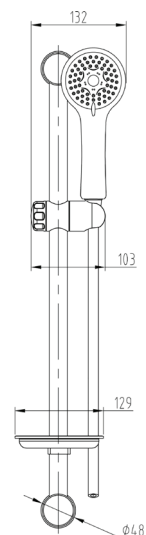
SINGLE LEVER WASH BASIN MIXER  
WITH BRASS POP-UP & WASTE



SINGLE LEVER  
BATH SHOWER MIXER



SHOWER KIT





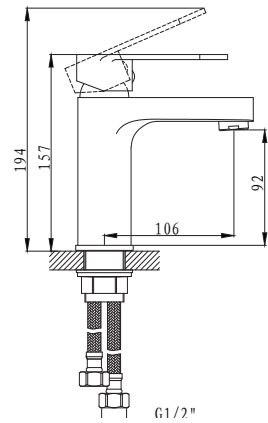
Following the previous pattern Win series enhances your guest bathroom in a modern and elegant style.

# WIN SERIES 3 IN 1 SET

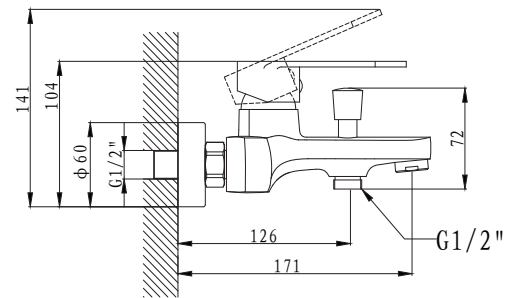
Item Code: 140100600015



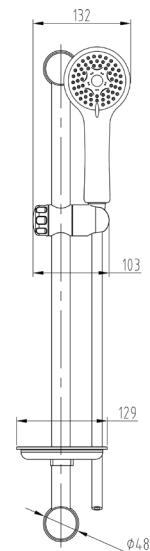
SINGLE LEVER WASH BASIN MIXER  
WITH BRASS POP-UP & WASTE



SINGLE LEVER  
BATH SHOWER MIXER



SHOWER KIT



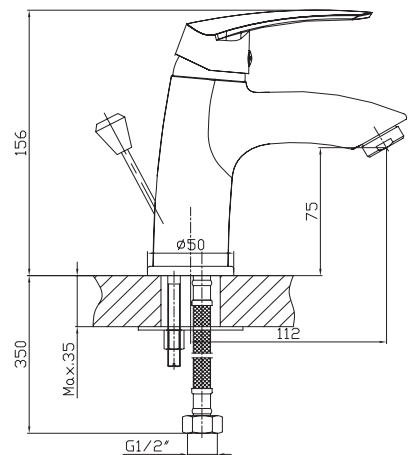
Nopali series is more than a faucet collection. It's a necessity. Its arch shaped jet, provides you with maximum comfort recalling the marvellous shape of the neapolitan bay.

# NOPALI SERIES



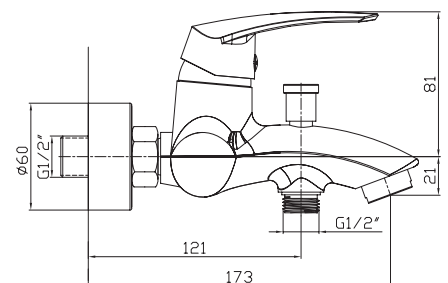
SINGLE LEVER WASH BASIN MIXER  
WITH BRASS POP-UP & WASTE

Item Code: 140100200335



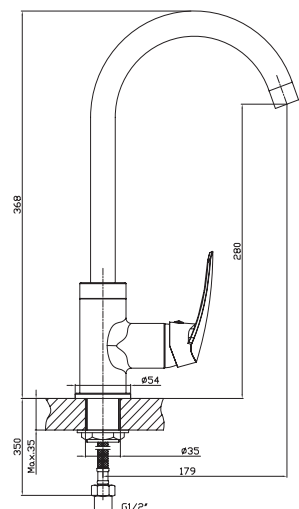
SINGLE LEVER  
BATH SHOWER MIXER

Item Code: 140100100403



SINGLE LEVER SINK MIXER

Item Code: 140100300229



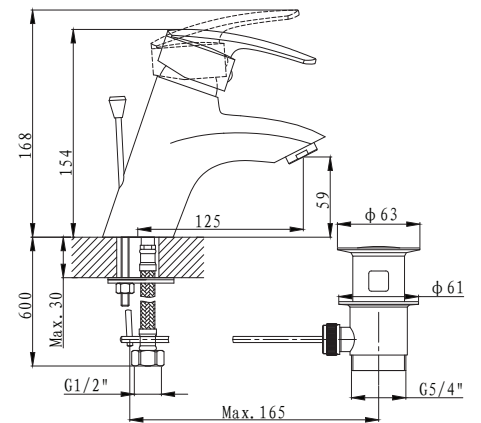
The flow of the running water is music to your senses. Each cell breaths freely and lets you become one with nature and the universe.

# PLUTO SERIES



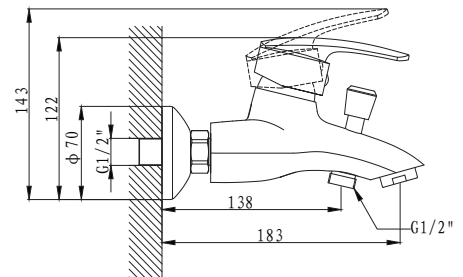
SINGLE LEVER WASH BASIN MIXER  
WITH BRASS POP-UP & WASTE

Item Code: 140100200112



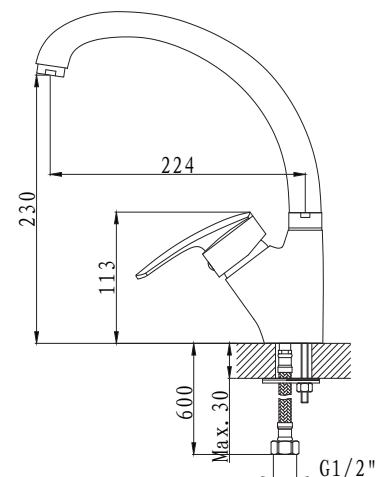
SINGLE LEVER  
BATH SHOWER MIXER

Item Code: 140100100151



SINGLE LEVER MOVEABLE  
SINK MIXER

Item Code: 140100300072



The bathroom is where you relax and unwind. Create a design that defines you. That's what this series is all about. Letting you create your individuality

## **SUPER VIRGO SERIES**

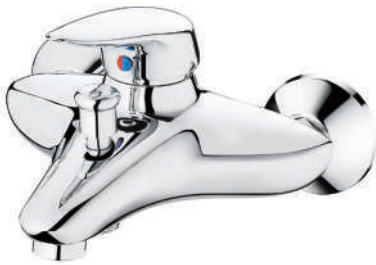
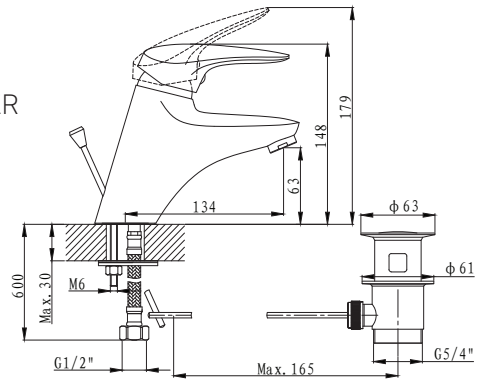






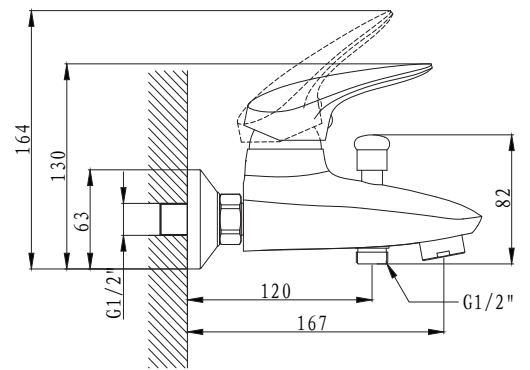
SINGLE LEVER WASH BASIN MIXER  
WITH BRASS POP-UP & WASTE

Item Code: 140100200136



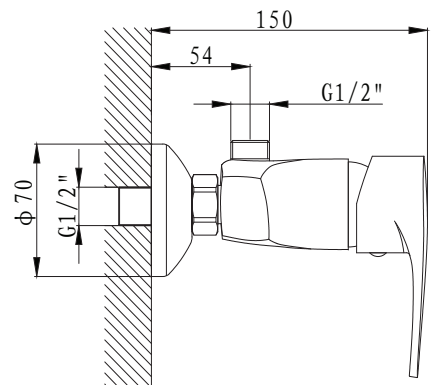
SINGLE LEVER BATH  
SHOWER MIXER

Item Code: 140100100178



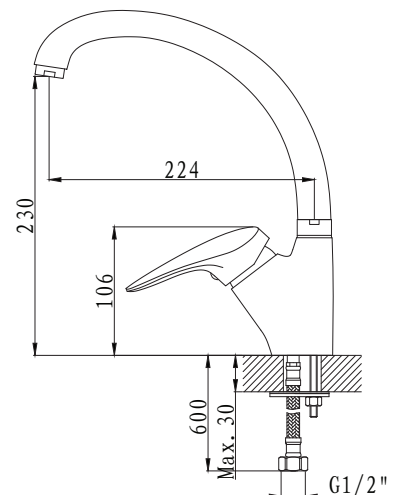
SINGLE LEVER WALL  
SHOWER MIXER

Item Code: 140100100196



SINGLE LEVER MOVEABLE  
SINK MIXER

Item Code: 140100300138



The undulant lines and curves make these models charming to the senses. The contrast and lucidity is a soundless declaration of fashion and style which touches you deep inside.

## **TARKI, QUEEN & LEXUS SERIES**



**TARKI SERIES**



SINGLE LEVER  
WASH BASIN MIXER

Item Code: 140100200188



SINGLE LEVER WALL  
SHOWER MIXER

Item Code: 140100100231



SINGLE LEVER  
KITCHEN SINK MIXER

Item Code: 140100300171

**QUEEN SERIES**



SINGLE LEVER WASH BASIN MIXER  
WITH BRASS POP-UP & WASTE

Item Code: 140100200214



SINGLE LEVER  
BATH SHOWER MIXER

Item Code: 140100100258



SINGLE LEVER  
KITCHEN SINK MIXER

Item Code: 140100300201

**LEXUS SERIES**



SINGLE LEVER  
WASH BASIN MIXER

Item Code: 140100200189



SINGLE LEVER  
BATH SHOWER MIXER

Item Code: 140100100232



SINGLE LEVER  
KITCHEN SINK MIXER

Item Code: 140100300167



A zynch collection for your every day use.

## **ECO**MILANO SERIES





**TURBO SERIES**



SINGLE LEVER  
WASH BASIN MIXER

Item Code: 140100200490



SINGLE LEVER WALL  
SHOWER MIXER

Item Code: 140100100646



SINGLE LEVER  
SINK MIXER

Item Code: 140100300343

---

**DIVA SERIES**



SINGLE LEVER  
WASH BASIN MIXER

Item Code: 140100200489



SINGLE LEVER WALL  
SHOWER MIXER

Item Code: 140100100645



SINGLE LEVER  
SINK MIXER

Item Code: 140100300342

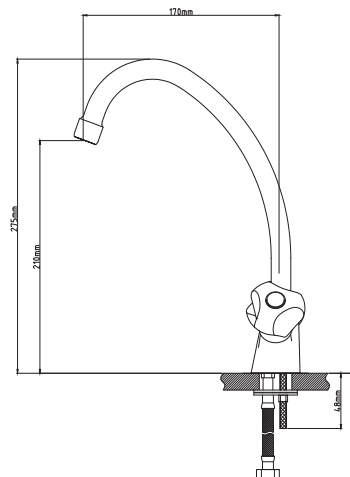
The Sigma series is made to add an atmosphere of design to the simplest of homes. Made of quality materials, it emphasizes your refined taste and your preferences.

# SIGMA SERIES



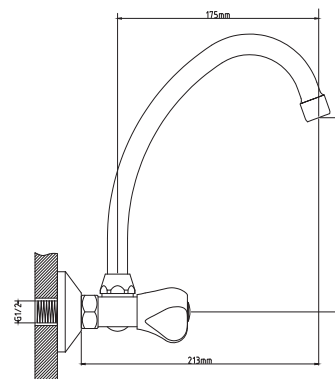
SINLGE HOLE BASIN MIXER

Item Code: 140100300301



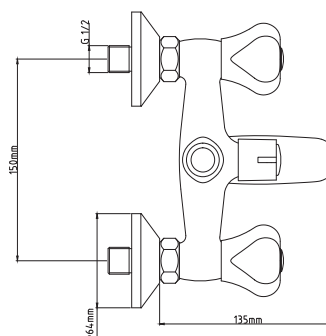
WALL MOUNTED SINK MIXER

Item Code: 140100300300



BATH SHOWER MIXER

Item Code: 140100100590



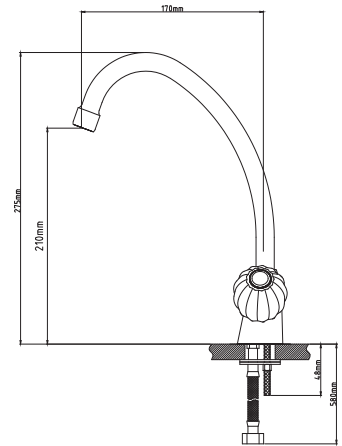
A stylish design for a traditional series that combines quality and functionality

# ASCOT SERIES



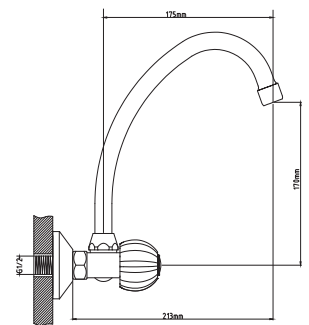
SINLGE HOLE BASIN MIXER

Item Code: 140100300303



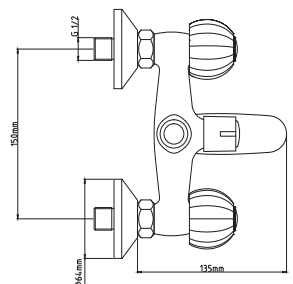
WALL MOUNTED SINK MIXER

Item Code: 140100300302



BATH SHOWER MIXER

Item Code: 140100100591



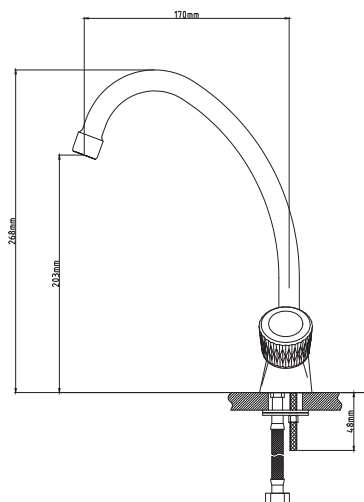
Named after its knobs shape, Crown series gives a traditional touch to your home.

# CROWN PLUS SERIES



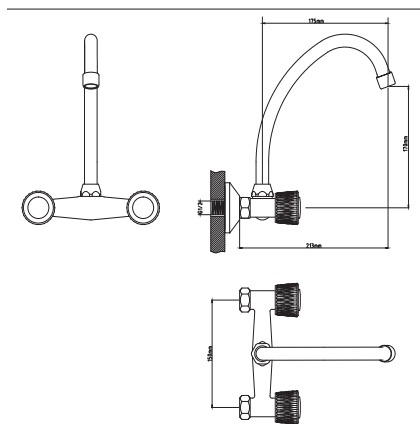
SINGLE HOLE BASIN MIXER WITH COPPER TUBE

Item Code: 140100300212



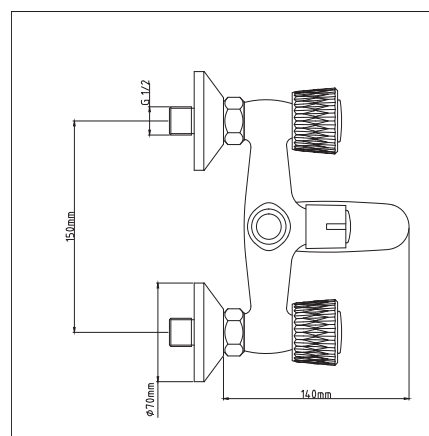
WALL MOUNTED SINK MIXER

Item Code: 140100300211



BATH SHOWER MIXER

Item Code: 140100100274

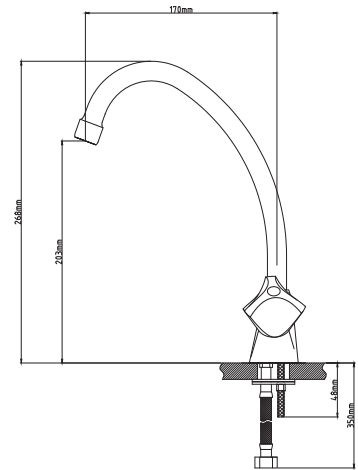


Made in traditional “Epoque” Italian design classic series is a collection that encounters multiple tastes.

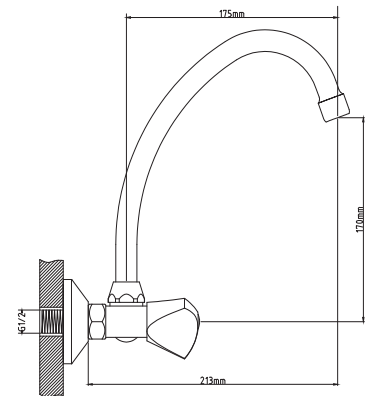
# CLASSIC SERIES



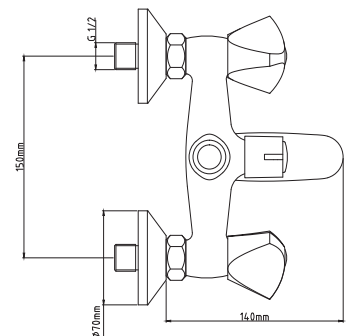
SINLGE HOLE BASIN MIXER  
Item Code: 140100300185



WALL MOUNTED SINK MIXER  
Item Code: 140100300184



BATH SHOWER MIXER  
Item Code: 140100100246





Elegant and highly functional pull out mixers will make you feel a master chef in your own kitchen.

# KITCHEN MIXER



SINGLE LEVER  
PULL OUT MIXER

Item Code: 140100300207



SINGLE LEVER SPRING  
PULL OUT MIXER

Item Code: 140100300206



SINGLE LEVER MOVEABLE  
PULL OUT MIXER

Item Code: 140100300208

For a modern design kitchen, a wall-mounted faucet is the perfect partner.

## WALL MOUNTED



RIVA SINGLE LEVER KITCHEN  
SINK MIXER- WALL MOUNTED

Item Code: 140100300304



GLORY SINGLE LEVER KITCHEN SINK  
MIXER- WALL MOUNTED

Item Code: 140100300331



HIRA SINGLE LEVER KITCHEN  
SINK MIXER- WALL MOUNTED

Item Code: 140100300358



PRINCE SINGLE LEVER KITCHEN  
SINK MIXER- WALL MOUNTED

Item Code: 140100300251



For different people art has different meaning. Art is not only a decorative element in your space, it creates atmosphere when you make it a part of your life.

## **ART BASIN MIXER**





**RICCI**

Item Code: 140100200403



**DALLAS**

Item Code: 140100200404



**CHARMING**

Item Code: 140100200405



**MORA**

Item Code: 140100200472



**LARA**

Item Code: 140100200473

These collections are made to add an atmosphere of luxury to the simplest of homes. Made of quality materials, They emphasizes your refined and high-class taste.

## **SELF CLOSING TAP & MIXER**



SELF CLOSING BASIN  
MOUNTED VL-9901

**Item Code: 140100200512**



SELF CLOSING WALL  
MOUNTED VL-9903

**Item Code: 140100200513**



TIME DELAY SELF CLOSING  
WASH BASIN MIXER (HOT & COLD) VL-9904

**Item Code: 140100200514**



Creating healthy environments isn't easy, but with these sensor series your washroom has the privilege to remain aseptic.

# SENSOR MIXER & TAP



MODEL:309LT  
Item Code: 140100200408



MODEL:602LT  
Item Code: 140100200307



MODEL: 301LT  
Item Code: 140100200306



HSD: 2082 ROSE GOLD  
Item Code: 140100200493



HSD: 2082 GOLD  
Item Code: 140100200492



HSD: 2082 CHROME  
Item Code: 140100200494



MAGIC SENSOR TAP  
Item Code: 140100200181



Simple functionality, luxurious design.

# TAPS

## DECENT



BASIN TAP  
Item Code: 140900300179



TWO FUNCTION TAP  
Item Code: 140900300178



SINK TAP - WALL MOUNTED  
Item Code: 140900300177

---

## PROJECT



BASIN TAP  
Item Code: 140900300185



ONE-WAY TAP  
WALL MOUNTED  
Item Code: 140800500139  
TWO-WAY TAP  
WALL MOUNTED  
Item Code: 140800500166



SINK TAP  
WALL MOUNTED  
Item Code: 140900300183



SINK TAP  
BASIN MOUNTED  
Item Code: 140900300184

**VIOLET**



BASIN TAP

Item Code: 140900300190



TWO FUNCTION TAP  
(ALSO AVAILABLE ONE-WAY TAP)

Item Code: 140800500141



SINK TAP - WALL MOUNTED  
(ALSO AVAILABLE BASIN MOUNTED)

Item Code: 140900300189

**RICA**



BASIN TAP

Item Code: 140900300201



TWO FUNCTION TAP

Item Code: 140800500167



SINK TAP BASIN MOUNTED

Item Code: 140900300203

**KAZ**



SINK TAP  
WALL MOUNTED

Item Code: 140400500378



SINK TAP  
BASIN MOUNTED

Item Code: 140400500379

**SAM**



SINK TAP  
WALL MOUNTED

Item Code: 140400500380



SINK TAP  
BASIN MOUNTED

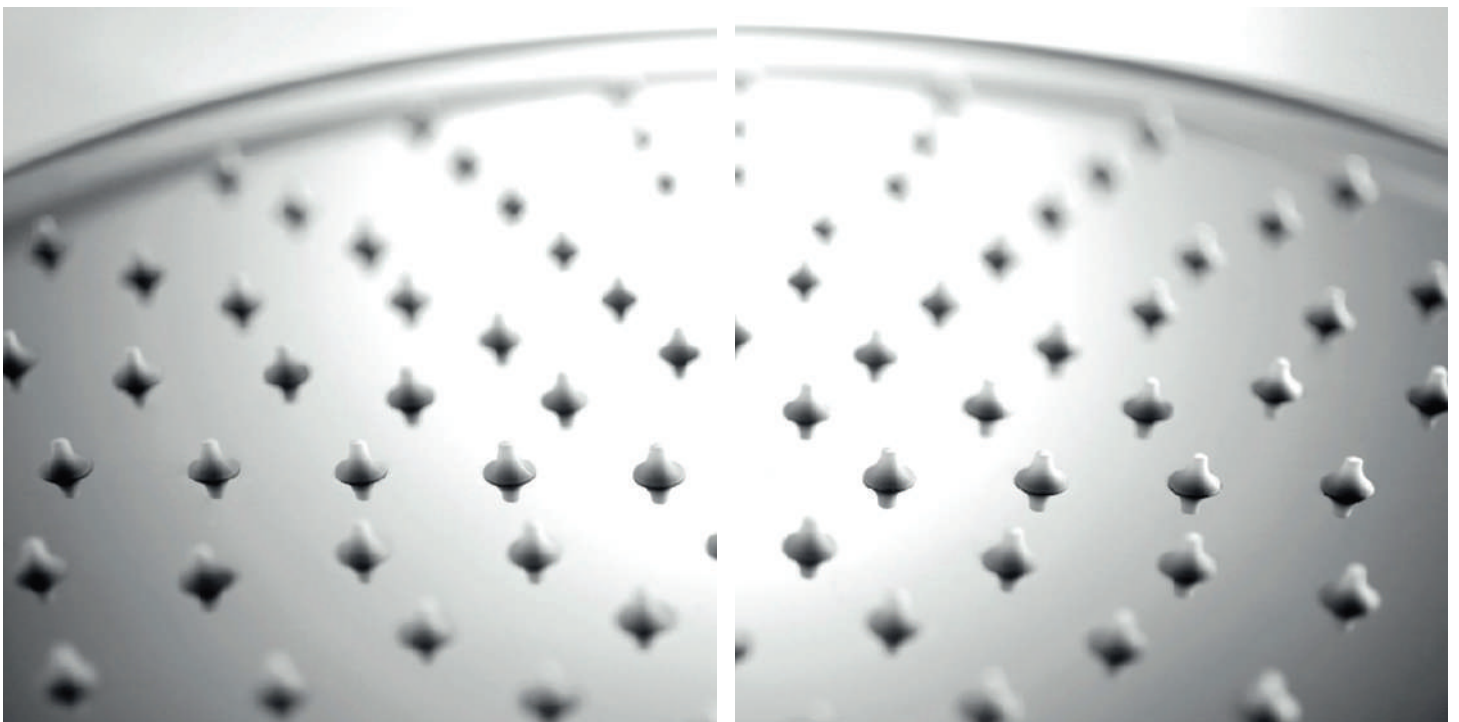
Item Code: 140400500381





# RAIN SHOWER

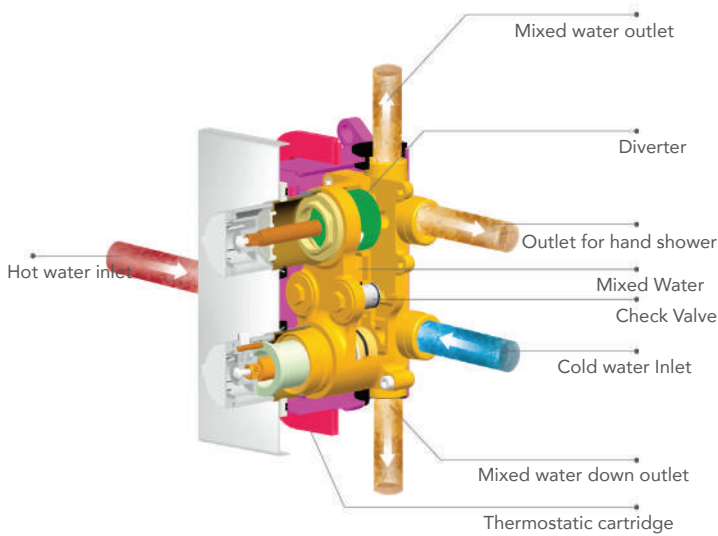
Bringing luxury to your day.







# BEST - THERMOSTATIC RAIN SHOWER



Item Code: 140100100571







# TALENT - RAIN SHOWER



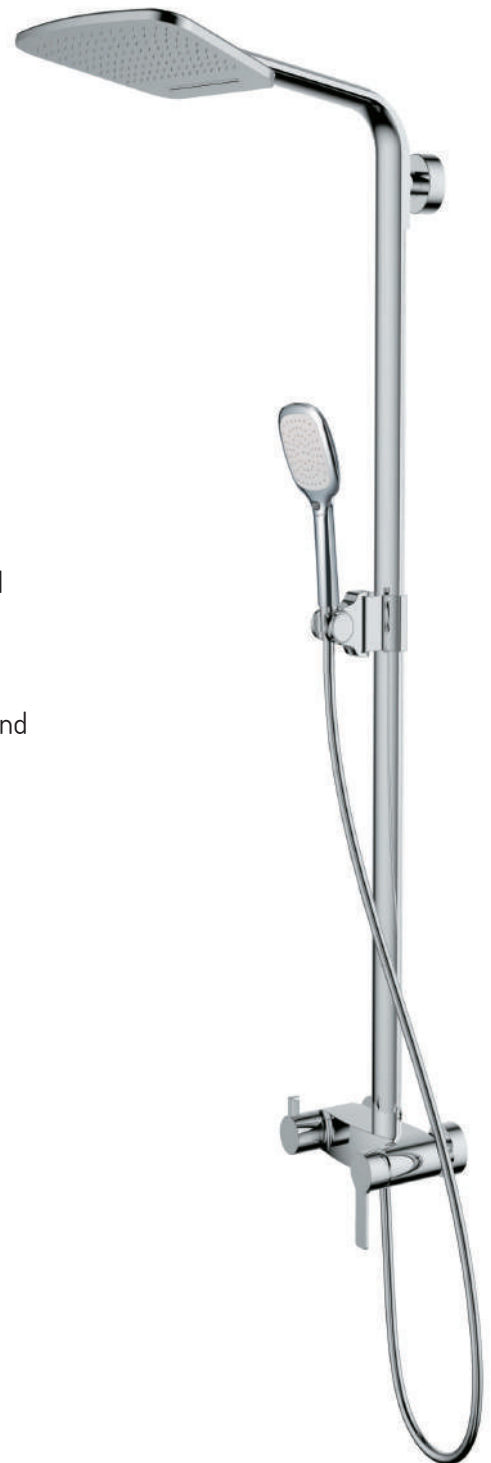
The shower holder has patented automatic-lock design for long-term use.



The shower holder can be moved from left to right, but when it reaches the central position, it would be lock automatically and you cannot move the holder up and down.



The shower holder can be moved from left to right, You can adjust the position of the shower holder up and down when the shower holder is moved to left or right.



Item Code: 140100100529







# RAIN SHOWER

Shower head and shower arm are combined with shower mixers to give a luxurious design to your bathroom.



**VICTOR**

Item Code: 140100100527



**DECOR**

Item Code: 140100100528



**DECENT**

Item Code: 140100100238



**CHARMING**

Item Code: 140100100616



**DALLAS**

Item Code: 140100100524



**ATLANTIS**

Item Code: 140100100587



**FANTA**  
Item Code:  
140100100661



**COSTA**  
Item Code:  
140100100662



**KAAT**  
Item Code  
140100100663



**HOPE**  
Item Code:  
140100100643



# SHOWER PANEL

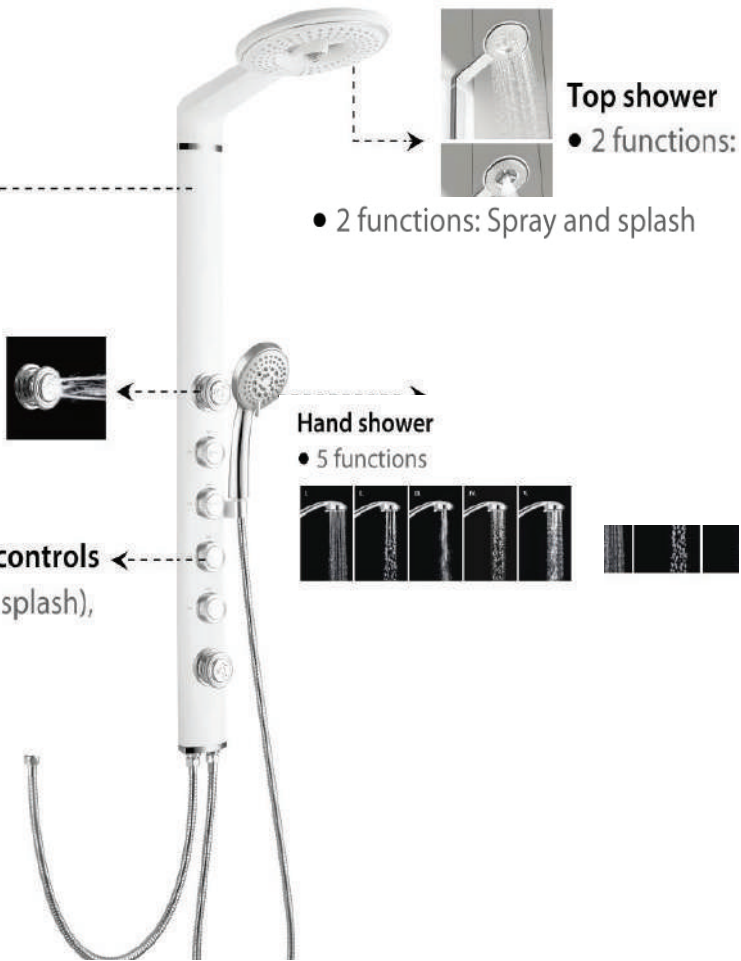
**Body**

- Material: Aluminum
- Star Chrome

**Adjustable massage Jets**

**Four individual function controls**

- shower head(Spray and splash), hand shower and jets



**OPERA**  
**THERMOSTATIC**  
Item Code:  
140400200151



**TANGO**

Item Code:  
140400200161



**MAX**

Item Code:  
140400200152



**GALAXY**

Item Code:  
140400200149



**LEONE**

Item Code:  
140400200150





# SHOWER PANEL



**CHERRY - GLASS + SS**

Item Code: 140400200148



**S-012**

Item Code: 140400200057



**ROSE GOLD**

Item Code: 140400200158



**MV-910**

Item Code: 140400200121



**N 865**

Item Code: 140400200059





# CONCEALED RAIN SHOWER



## SPLENDID

Item Code: 140100100271

**BRASS CONCEALED SHOWER MIXER WITH 3 WAY FUNCTION**

1. Rain Shower, 2. Water Fall, 3. Spout

### FEATURES:

• Heavy Duty Brass Body • Brass Fittings • Over Head Shower • Hot & Cold Diverter • Water Inlet Spout

## DECENT

Item Code: 140100100315

**OVER HEAD SHOWER, BRASS SPOUT & HAND SHOWER ( 3 WAY FLOW )**









# SHOWER SET



**AMARA**

Item Code:  
140100100634



**GLORY**

Item Code:  
140300200040



**ZEN**

Item Code:  
140100100653



**OSCAR**

Item Code:  
140300300053

# SHOWER KIT



**DON**

Item Code:  
140300300060



**LEAF**

Item Code:  
140300300061



**RIVA**

Item Code:  
140300300055



**RENA**

Item Code:  
140300300063

# SHOWER KIT



**BRIGHT**  
Item Code:  
140300200041



**AURORA**  
Item Code:  
140300200030



**INNOVA**  
Item Code:  
140300300039



**PROJECT**  
Item Code:  
140300300042



**MELODY**  
Item Code:  
140300200031



**MIRA**  
Item Code:  
140300300062



**FLORY**  
Item Code:  
140300300057



# SHOWER COLUMN



**ARDA**  
Item Code:  
140400200163



**BEATRICE**  
Item Code:  
140400200132



**ANDREINA**  
Item Code:  
140400200133



**AMALIA**  
Item Code:  
140400200130



# SHOWER COLUMN



**SQUARE**

Item Code:  
140400200091



**ROUND**

Item Code:  
140400200093



**ANNETA**

Item Code:  
140400200131



**NORA**

Item Code:  
140400200129





# BATHROOM COMFORTS

The elegant and luxury shattaf is simple to use and easy to install in any bathroom. We provide a variety of different styles to enhance your space with premium quality and advanced design.



**SQUARE CHROME**

Item Code: 140200100194



**SQUARE WHITE**

Item Code: 140200100198



**DELUXE SET CHROME**

Item Code: 140200100021



**DELUXE SET WHITE**

Item Code: 140200100121



**DELUXE SET BLACK**

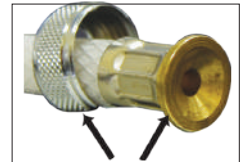
Item Code: 140200100131



Brass Clip



Brass Mechanism



Brass Conical Nuts



# PVC SHATTAF



ROYAL CHROME

Item Code: 140200100195



ROYAL WHITE

Item Code: 140200100193

# BRASS SHATTAF



DECENT WITH ANGLE VALVE

Item Code: 140200100163



LUXURY

Item Code: 140200100129

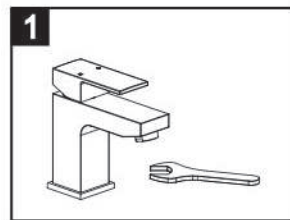


SLEEK

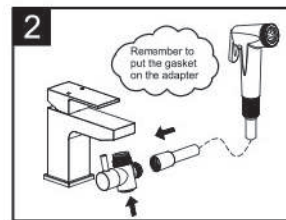
Item Code: 140200100144

# TRAVEL SHATTAF

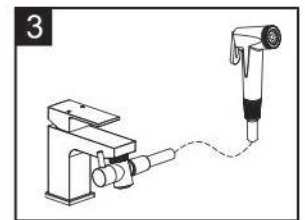
To travel the world has become more secure and affordable, but yet uses and costumes are different between countries. Presented in a classy pouch, with a 2.7mt hose and complete of diverter & key, Travel Shattaf makes your journeys to Europe, USA and China more pleasant. Your ideal travel partner!



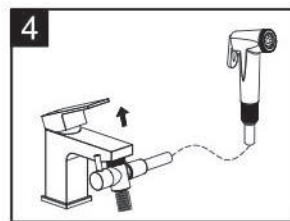
1. Use the spanner to roll out the aerater of the tap.



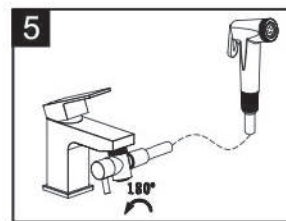
2. Install adapter to the tap, and hose connect with adaptor.



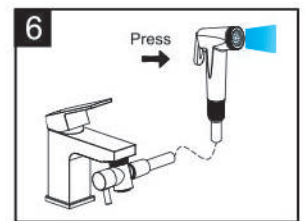
3. Finish installing



4. Open he tap handle, the water flows out from the adaptor.



5. Open the adaptor's handle 180 degrees.



6. Press the shattaf.

Item Code: 140200100191

# SQUATTY POTTY



Item Code: 140400500423



# BATHROOM ACCESSORIES

Jazz up your bathroom with an elegant and luxurious touch, with the most stunning series of contemporary bathroom accessories. Exude a sense of regal and relaxed aura with a wide range of the world's finest collections.

A royal bathroom is an highly designed ambient. It's a very special place which deserves personality and quality. Golf series is the ultimate missing touch.

# GOLF SERIES



DOUBLE ROBE HOOK

Item Code: 140400500553



PAPER HOLDER WITH LID

Item Code: 140400500558



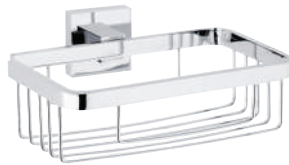
TOILET PAPER HOLDER

Item Code: 140400500557



TOWEL RING

Item Code: 140400500564



SOAP BASKET

Item Code: 140400500548



TOWEL ROD

Item Code: 140400500561





The sleek and artful royal series keeps your bathing essentials in an organized way adding style to create an impressive bathroom space.

# NIRVANA SERIES



**DOUBLE ROBE HOOK**  
Item Code: 140400500554



**SOAP DISH**  
Item Code: 140400600046



**TUMBLER HOLDER**  
Item Code: 140400500550



**TOWEL RING**  
Item Code: 140400500565



**PAPER HOLDER**  
Item Code: 140400500559



**SOAP BASKET**  
Item Code: 140400500549



**TOWEL ROD**  
Item Code: 140400500562



These series excite you with the enticing bathroom elements in various styles and designs. They are perfect for a contemporary bathroom , adding a golden touch to the premium functional and practical pieces.

# ANKA SERIES



DOUBLE ROBE HOOK

Item Code: 140400500552



SOAP DISH

Item Code: 140400600047



TOILET PAPER HOLDER

Item Code: 140400500555



SOAP BASKET

Item Code: 140400500547



TOWEL RING

Item Code: 140400500563



TUMBLER HOLDER

Item Code: 140400500551



PAPER HOLDER WITH LID

Item Code: 140400500556



TOWEL ROD

Item Code: 140400500560

Having the right collection of bathroom accessories is essential to maintain harmony within your ambient. This dynamic series lights up your bathroom space with a fresh look and strong appeal.

# RUBY SERIES

Item Code: 140400500203



DOUBLE ROBE HOOK  
Item Code: 140400500367



SOAP DISH  
Item Code: 140400500193



TUMBLER HOLDER  
Item Code: 140400500287



TOWEL RING  
Item Code: 140400500191



TOILET PAPER HOLDER  
Item Code: 140400500195



TOWEL BAR (60 CM - 24")  
Item Code: 140400500189



GLASS SHELF  
Item Code: 140400500190





This dynamic series lights up your bathroom space with a fresh look and strong appeal.

# AZZY SERIES

Item Code: 140400500204



SINGLE ROBE HOOK  
Item Code: 140400500201



SOAP DISH  
Item Code: 140400500403



TUMBLER HOLDER  
Item Code: 140400500409



TOWEL HOOK  
Item Code: 140400500198



TOILET PAPER HOLDER  
Item Code: 140400500202



TOWEL BAR (60 CM - 24")  
Item Code: 140400500196



GLASS SHELF  
Item Code: 140400500197





This series excites you with enticing bathroom elements. Rose gold is perfect for a neo-classic bathroom, adding a class color touch.

# ROSE GOLD SERIES

Item Code: 140400500422



DOUBLE ROBE HOOK



SOAP DISH



TUMBLER HOLDER



TOWEL RING



TOILET PAPER HOLDER



TOWEL BAR (60 CM - 24")



Following the same concept of the previous collection, Gold series adds a further regal decor touch to your bathroom.

# GOLD SERIES

Item Code: 140400500421



DOUBLE ROBE HOOK



SOAP DISH



TUMBLER HOLDER



TOWEL RING



TOILET PAPER HOLDER



TOWEL BAR (60 CM - 24")



These series excite you with the enticing bathroom elements in various styles and designs. They are perfect for a contemporary bathroom , adding a golden touch to the premium functional and practical pieces.

# FIONA GOLD SERIES

Item Code: 140400500295



DOUBLE ROBE HOOK



SOAP DISH



TUMBLER HOLDER



TOWEL RING



TOILET PAPER HOLDER



TOWEL BAR (60 CM - 24")



GLASS SHELF

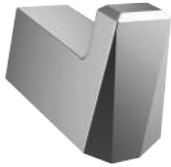




Designed to mold itself perfectly to suit the interior of any bathroom, the Diamond series allows you to blend aesthetics within even the simplest bathroom.

# DIAMOND SERIES

Item Code: 140400500354



ROBE HOOK

Item Code: 140400500569



SOAP DISH

Item Code: 140400500525



TUMBLER HOLDER



TOWEL HOOK

Item Code: 140400500527



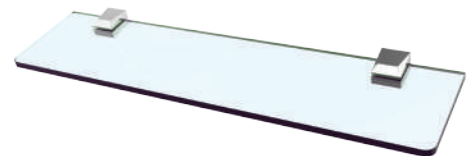
TOILET PAPER HOLDER

Item Code: 140400500524



TOWEL BAR (60 CM - 24")

Item Code: 140400500526



GLASS SHELF





Grace series to create a timeless elegant experience into your bathroom.

# GRACE SERIES

Item Code: 140400500357



DOUBLE ROBE HOOK

Item Code: 140400500383



SOAP DISH

Item Code: 140400500384



TUMBLER HOLDER



TOWEL HOOK



TOILET PAPER HOLDER

Item Code: 140400500385



TOWEL BAR (60 CM - 24")

Item Code: 140400500386



GLASS SHELF



Made of the finest and highest quality material. It adds class and a luxury touch to your bathroom.

# DORA SERIES

SS satin finish



SINGLE ROBE HOOK  
Item Code: 140400500398



SOAP DISH  
Item Code: 140400500396



DOUBLE ROBE HOOK  
Item Code: 140400500399



TOWEL RING  
Item Code: 140400500400



TOILET PAPER HOLDER  
Item Code: 140400500395



TOWEL BAR  
Item Code: 140400500397



Gentle and smooth like a mirror. Beauty is in the beat. Feel its surging vigor. These collection expression of your innermost feelings.

# CROWN SERIES

Item Code: 140400500387



SINGLE ROBE HOOK



SOAP DISH



TUMBLER HOLDER



TOWEL RING



TOILET PAPER HOLDER



TOWEL BAR (60 CM - 24")





The sleek and artful royal series keeps your bathing essentials in an organized way adding style to create an impressive bathroom space.

## ROYAL SERIES

Item Code: 140400500143



DOUBLE ROBE HOOK

Item Code: 140400500044



SOAP DISH

Item Code: 140400500242



TUMBLER HOLDER

Item Code: 140400500241



TOWEL HOOK

Item Code: 140400500045



TOILET HOLDER

Item Code: 140400500149



TOWEL BAR (60 CM - 24")

Item Code: 140400500046



GLASS SHELF

Item Code: 140400500047





Fulfill your dreams of an exquisite bathroom space with the sophisticated designs of classic accessories. With eye catching shapes and smooth curves, Classic series adds a touch of class to your bathroom environment.

## CLASSIC SERIES

Item Code: 140400500146



DOUBLE ROBE HOOK  
Item Code: 140400500111



SOAP DISH  
Item Code: 140400600019



TUMBLER HOLDER  
Item Code: 140400500341



TOWEL RING  
Item Code: 140400500147



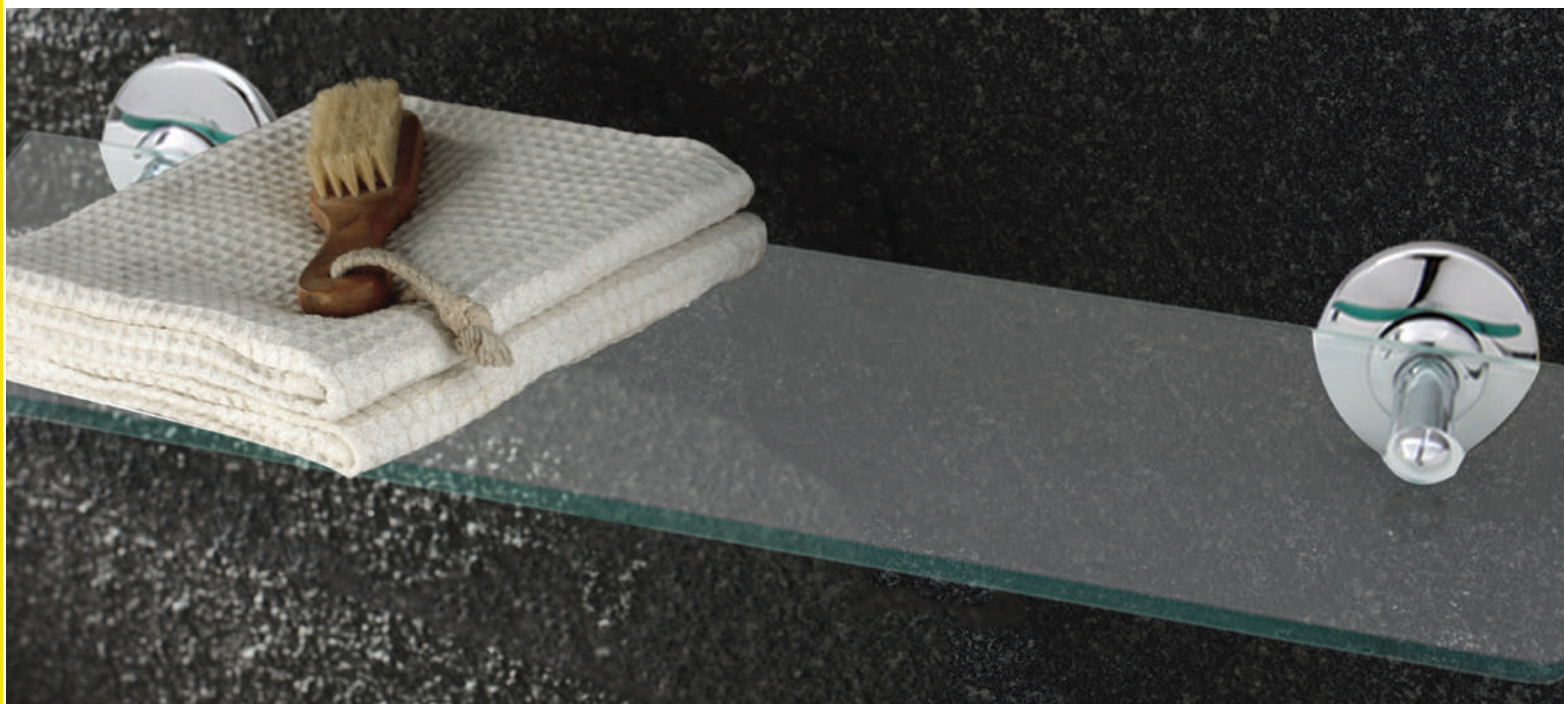
TOILET PAPER HOLDER  
Item Code: 140400600023



TOWEL BAR (60 CM - 24")  
Item Code: 140400500116



GLASS SHELF  
Item Code: 140400500335



Lilda series is the ECOchoice for any bathroom environment.

# LILDA SERIES

Item Code: 140400500145



DOUBLE ROBE HOOK

Item Code: 140400500342



SOAP DISH

Item Code: 140400500344



TUMBLER HOLDER

Item Code: 140400500345



TOWEL RING

Item Code: 140400500347



TOILET PAPER HOLDER

Item Code: 140400500346



TOWEL BAR (60 CM - 24")

Item Code: 140400500347



GLASS SHELF

Item Code: 140400500343



Create an impressive functional space with ceramics and bring life to your bathroom .

# CERAMIC SERIES

Item Code: 140400500088



SINGLE ROBE HOOK



SOAP DISH (SMALL)



TOILET PAPER HOLDER



SOAP DISH (BIG)



SHELF



TOWEL BAR (60 CM - 24")





Rejuvenate yourself with this series. A selected design to add a touch of class and elegance to any bathroom.

## PRINCE SERIES



DOUBLE TOWEL BAR

Item Code: 140400500415



TOWEL SHELF

Item Code: 140400500416



YSL MOVEBALE TOWEL BAR

Item Code: 140400500498

The undulant lines and curves reflect the charming stance of T-stage models. Its contraction and lucidity is a soundless declaration of fashion and style which touches you deep inside.

## SQUARE SERIES

Item Code: 140400500570



DOUBLE TOWEL BAR



DOUBLE HOOK



PAPER HOLDER



SOAP BASKET



TUMBLER HOLDER



Accentuate the luxurious look of your bath space with a classic touch with our most enchanting designs. The collection not only enhances the beauty of your bathroom but also provides vital and convenient storage areas.

# BATH CARE ACCESSORIES



**HAIR DRYER HSD 9029-1**  
Item Code: 140400500410



**HAIR DRYER HSD 9028-6**  
Item Code: 140400500411



**HAND DRYER SENSOR (HSD-A1001 ) WHITE**  
Item Code: 140400500477



**METAL HAND DRYER (HSD-908-1 )**  
Item Code: 140400500515



SHAMPOO & SOAP DISPENSER  
DOUBLE(HSD-8009-4)

Item Code: 140400600044



SOAP DISPENSER  
SINGLE (HSD-8008-4)

140400600043



SOAP DISPENSER  
UNDER COUNTER (F020)

140400600041



STAINLESS STEEL SOAP  
DISPENSER 818-3

140400500483



EA-1522  
CORNER SOAP BASKET

Item Code: 140400500566



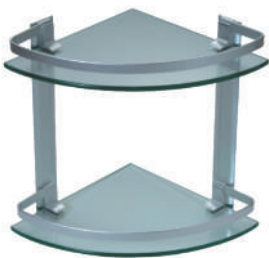
PRINCE S1025  
CORNER BASKET 2 LAYERS

Item Code: 140400500267



EA-1507  
MILANO TOWEL RACK

Item Code: 140400500567



G11082  
CORNER GLASS SHELF  
2 LAYERS

Item Code: 140400500266



G11009  
CORNER GLASS SHELF 3 LAYERS

Item Code: 140400500265



SS DUSTBIN – 20L

Item Code: 140400500509



# ACCESSORIES FOR SPECIAL ASSISTANCE

These special products help those with physical limitations in order to use bathroom facilities more comfortably and with less effort. Many of these items are also helpful for the elder users.



**GRAB BAR (YJL-8810)**  
350MM Item Code:140400500372  
600MM Item Code:140400500518



**L- SHAPE GRAB BAR FOR BASIN**  
Item Code:140400500480



**BATHTUB GRIP WITH  
SOAP BASKET- CHROME**  
Item Code:140400500485



**WC GRAB BAR HSD-9033**  
Item Code: 140400500479



**SHOWER SEAT FOLDING YJL 8878**  
Item Code:140300500003

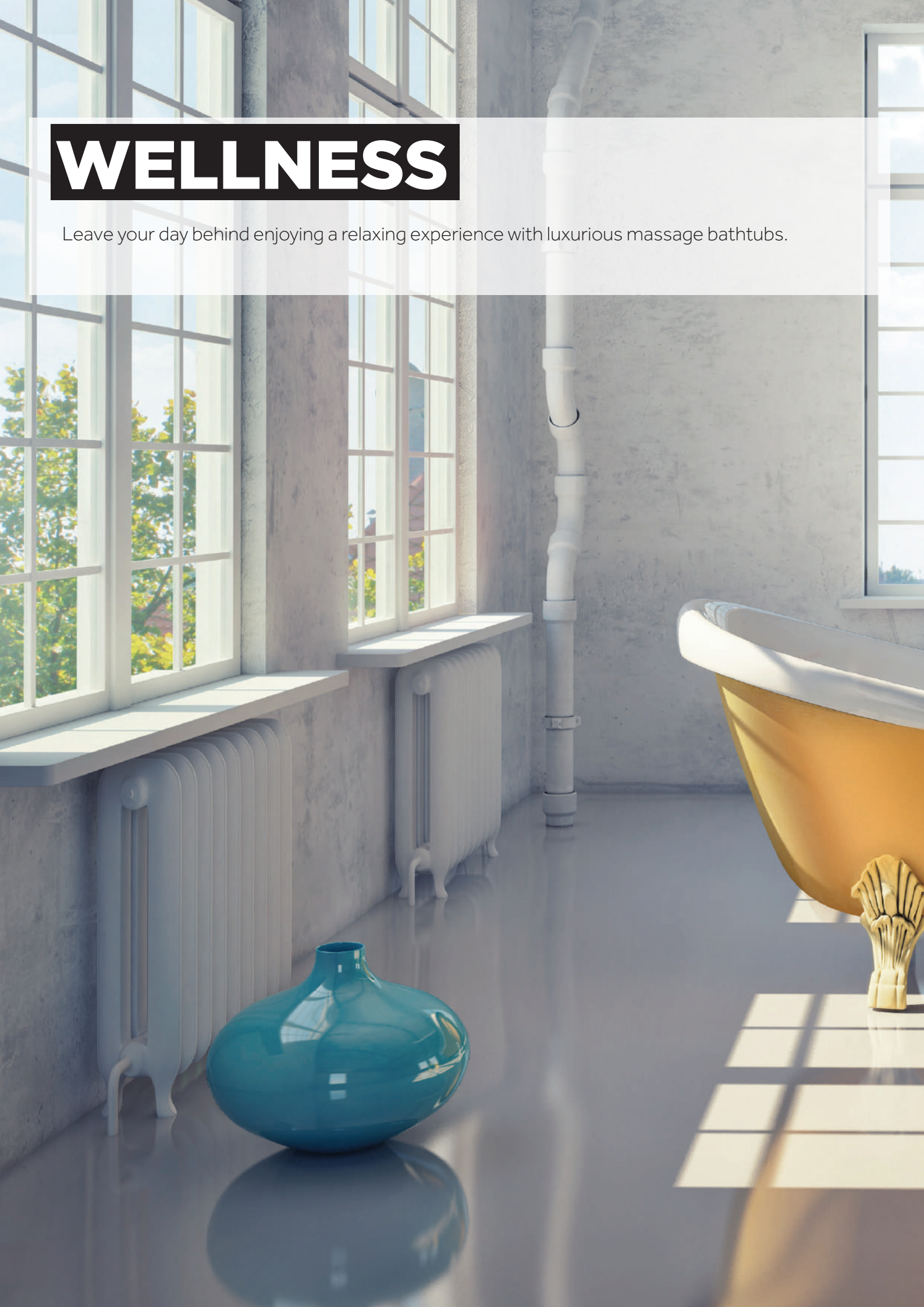


**LONG LEVER- BASIN MIXER**  
Item Code:140100200447



# WELLNESS

Leave your day behind enjoying a relaxing experience with luxurious massage bathtubs.







# WATERFALL SERIES



## M-1310

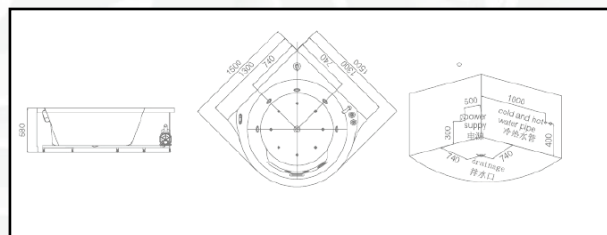
Item Code: 140400800059

Size : 1500 X 1500 X 580mm

### FEATURES:

- Waterfall massage (Power adjustable)
- Whirlpool massage
- LCD control panel
- Hand shower
- Radio
- LED color light jet
- Leakage protection
- Water shortage protection
- Ozone

This feature requires an optional accessory.







## M-1311

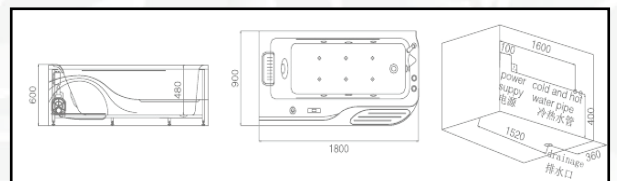
Item Code: 140400800061

Size : 1800 X 900 X 600mm

### FEATURES:

- Waterfall massage 2HP Pump (Power adjustable)
- Whirlpool massage
- LCD control panel
- Hand shower
- Radio
- LED color light jet
- Leakage protection
- Water shortage protection
- Ozone

This feature requires an optional accessory.







## M-1109D

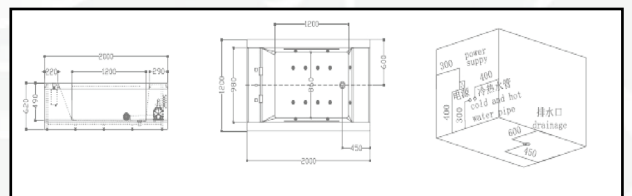
Item Code: 140400800060

Size : 2000 X 1200 X 620mm

### FEATURES:

- Needle nozzle massage 1.5HP pump
- Waterfall massage
- Touch control panel
- Color light jets
- Waterfall intake
- Elevating faucets and sprinkler
- Leakage protection
- Whirlpool massage 1HP pump
- Decoration blue light around faucet
- Air bubble pump

This feature requires an optional accessory.





## M-1309

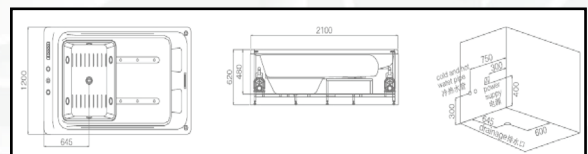
Item Code: 140400800055

Size: 2100X1200X620mm

### FEATURES:

- Whirlpool massage 1HP pump
- Waterfall massage 1.5 HP pump
- Control panel
- Color light jets (power adjustable)
- Black hydro-massage jets (power adjustable)
- Waterfall intake
- Elevating faucets and sprinkler
- Leakage protection
- Water storage protection

This feature requires an optional accessory.







## **M-1306**

Item Code: 140400800056

Size : 1800X1200X620 mm

### **FEATURES:**

- Hydro- massage jets
- Waterfall intake
- Leakage protection
- Water shortage protection
- Hand shower
- Heater
- Whirlpool massage 1.5 HP pump
- Waterfall massage 1HP pump
- Waterfall power adjustable
- Control panel
- Color light jets





## M-1313

Item Code: 140400400083

Size : 1700 X 1700 X 720mm

### FEATURES:

- Whirlpool massage 1HP pump
- Waterfall massage 1.5 HP pump
- Control panel
- Radio
- Color light jets (power adjustable)
- Black hydro-massage jets (power adjustable)
- Waterfall intake
- Leakage protection
- Water storage protection
- Hand shower

This feature requires an optional accessory.





## **M-1312**

Item Code: 140400400084

**Size : 1850 X 1000 X 720mm**

### **FEATURES:**

- Whirlpool massage 1HP pump
- Waterfall massage 1.5 HP pump
- Control panel
- Radio
- Color light jets (power adjustable)
- Black hydro-massage jets (power adjustable)
- Waterfall intake
- Leakage protection
- Water storage protection
- Hand shower

**This feature requires an optional accessory.**



# MASSAGE BATHTUB



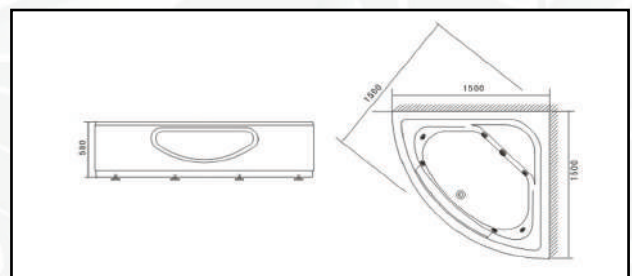
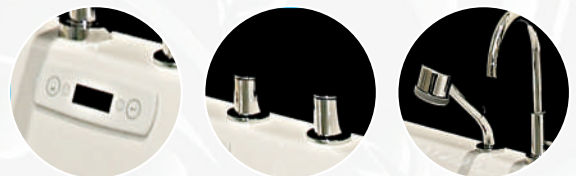
## AT-9018

Item Code: 140400100121

Size : 1500 x 1500 x 580 mm

### FEATURES:

- Bubble Bath
- White Bathtub Body
- Comfortable Big Seat And Big Apron
- Adjustable Hydraulic-Massage
- Big Nozzle
- Water Shortage Protection
- Pressing-Key Type Yu14
- Computerized Control Panel
- Fm Function & Assembled Steel Stand
- Movable Shower Head
- P017 Combined Faucet
- Incorporating Bathtub Water Filler







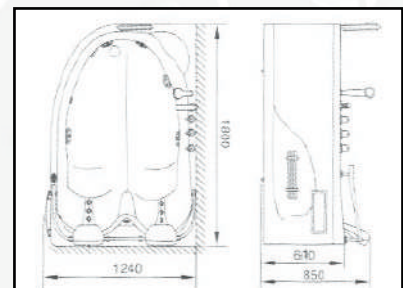
## AT-0919

Item Code: 140400800027

Size : 1800 x 1250 x 660 mm

### FEATURES:

- Bubble Bath
- Multi-Speed Hand Shower
- Pillow For 2
- Anti Slip Floor
- 1 Air Pump & 1 Water Pump ( For Hydro Massage)
- Remote Control





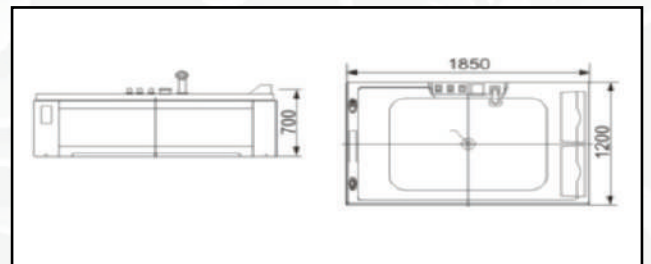
## AT0956

Item Code: 140400400044

Size : 1850 x 1200 x 670 mm

### FEATURES:

- Bubble Bath
- Multi-Speed Hand Shower
- Pillow
- Anti-Slip Floor
- Water Temperature Controller
- Digital Control Panel
- Remote Control
- 1 Air Pump; 1 Water Pump (For Hydro Massage)
- Heavy Duty Acrylic Body
- Water Lighting







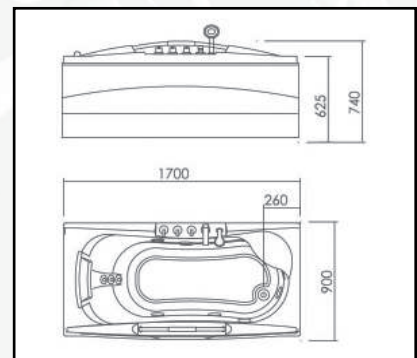
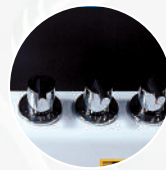
## AT-0918C

Item Code: 140400800041

Size : 1700 x 900 x 630 mm

### FEATURES:

- Multi-Speed
- Hand Shower
- Pillow For 2
- Elegantly Designed Water Intake
- Anti Slipping Bottom
- Human Oriented Design
- Maintain The Water Temperature
- Ozone Sterilization
- Air Bubbles





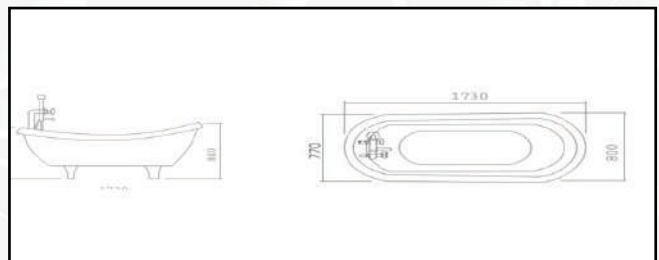
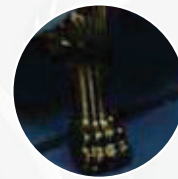


**AT-0930** Item Code: 140400800028

Size : 1730 x 800 x 840 mm

**FEATURES:**

- Hydro-Massage System
- Water Shortage Protection
- Shower and Faucet



# OUTDOOR WATER SPA



**M-3367**

Item Code: 140900300165

MATERIAL:

Size : 2000 X 2000 X 920mm

Made Of Acrylic Plate, Reinforced With  
Fiber Glass

**PARTS & FEATURES:**

- Water Pump (2Hp): 2 Pcs.
- Paper Element Filter: 1 Pc.
- Ozone-Sterilization: 1 Pc.
- Heater (3Kw): 1 Pc.
- Pillow: 3 Pcs.
- Control System: 1 Pc.
- Total Jets: 34 Pcs.
- Big Nozzle: 6 Pcs.
- Small Nozzle: 28 Pcs.
- Under Water Light (20W/12V): 1 Pc.
- Water Pipe & Valve: 1 Batch





# STEAM SHOWER ROOM



## A0808 LUXURY SHOWER ROOM WITH MASSAGE BATH TUB

Item Code: 140400100028

Size : 1550 x 1550 X 2190 mm

- FM Radio
- Hands Free Telephone
- Lights & Exhaust Fan
- Steam Generator
- Body Massage Jets
- Hand Shower Massage
- Dual Digital Panel
- Foot Massage
- Tempered Glass/Heavy Duty Acrylic Body
- Shampoo Rack/Towel Rod
- Luxury Massage Bathtub



## GUCI-856 GREY

Item Code: 140400100062

Size : 1480 x 1480 x 2200 mm

- Filmed Toughened Glass
- Front Double Door
- Silver Grey Composite Board
- Acid-Sanded Aluminum
- F4 Computerized Control System
- Annular Overhead Lamp
- 3.5Kw Steam Generator
- Overhead Shower Head
- Movable Hand Shower
- Foot Sole Massage
- Deluxe Handgrip
- Hydraulic Massage
- Aluminum Alloy Big Post
- Chrome Plated Door Handle





## **GUCI-850 GREY**

**Item Code: 140400100060**

**Size : 1460X910X2240 mm**

- Front Double Door
- Silver grey composite board
- Acid Sanded aluminium
- F4 Computerised Control System
- Internal Object Keeping Cabinet
- Filmed Toughened Glass
- Ventilation, Annular Overhead Lamp
- 3.5K.W Steam Generator
- Overhead Shower
- Movable Showerhead and Sprayers
- Foot Sole Massager, Foldable Novel Seat
- Deluxe Handgrip, Glass Shelf
- Remote Control, Hi-Fi Audio FM
- Heavy Duty Acrylic Body
- Seating for 2 Person



## **GUCI-865 GREY**

**Item Code: 140400100067**

**Size : 1220X910X2220 mm**

- Filmed Toughened Glass
- Ventilation
- Telephone & FM Radio
- Annular Overhead Lamp
- 3KW Steam Generator
- Overhead Shower
- Movable Sprayers and Handshower
- Foot Sole Massager
- Seating for 2 persons
- Remote Control, Front Double Acting Door
- Silver Grey Box Body;  
Acid Sanded Aluminium
- Single Digital Panel
- Chrome Plated Door Handle
- Internal Object Keeping Cabinet





**A-8059 GREY**

**Item Code: 140400500185**

**Size : 950X950 mm**

- Filmed Toughened Glass
- Front Double Door
- Silver Grey Composite Board
- Acid-Sanded Aluminum
- F4 Computerised Control System
- Annular Overhead Lamp
- Overhead Showerhead
- 4 Movable Sprayers and Handshower
- Foot Sole Massager
- Novel Foldable Stool
- Deluxe Handgrip
- 3Kw Steam Generator
- Aluminum Alloy Big Post
- Chrome Plated Door Handle
- Glass Shelf



**MY-2803 SAUNA ROOM**

**Item Code: 140400800003**

**Size : 1200 x 1200 X 2180mm**

- Top Light
- Sand Clock
- Thermometer
- Digital Panel
- Barrel
- Wooden Scoop
- Wooden Towel Rack
- Tempered Glass Door
- Wooden Door Handle
- Pine Wood Sauna Body
- Sauna Machine
- Explosion - Proof Lamp



# SHOWER ENCLOSURE



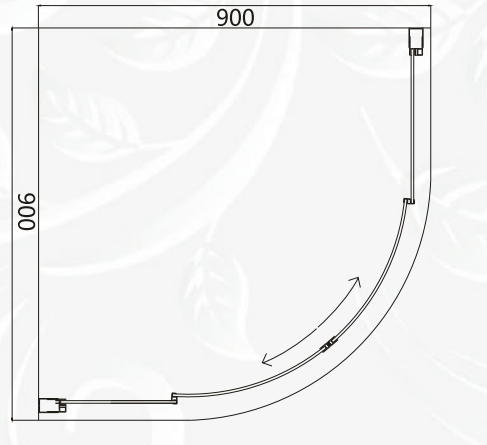


**MARBLE CUBICLE - KL5296422**

Item Code: 140400100166

**SIZE & FEATURES:**

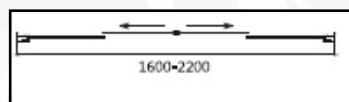
QUADRANT DOUBLE SLIDING DOOR  
 SIZE: 900 X 900 MM  
 HEIGHT: 1850 MM  
 GLASS THICKNESS: 6 MM  
 SUPPLIED WITH MARBLE STRIP



**KL5696422**

Item Code: 140400500428

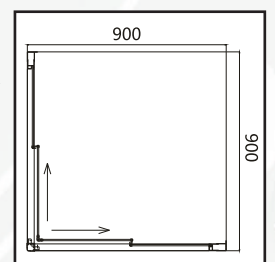
DOUBLE SLIDING DOOR  
 SIZE:  
 WIDTH: 1700 MM  
 HEIGHT: 1850 MM  
 GLASS THICKNESS: 6 MM



**MARBLE CUBICLE - KL511001**

Item Code: 140400100165

CORNER ENTRY SLIDING DOOR  
 SIZE: 900 X 900 X 1850 MM  
 GLASS THICKNESS: 6 MM  
 SUPPLIED WITH MARBLE STRIP



# SHOWER CUBICAL



## TS-630

**Item Code: 140400500212**

**Size : 1200 X 800 X 2000mm**

- 6mm Toughened Glass Panel
- Single Rotary Door
- Novel H – 82 Door Handle
- Bottom Tray Of Adjustable Height & Levelness
- Standard Matte Silver Color



## KL51001B

**Item Code: 140400100171**

**Size: 120 x 80 X 195mm**

- Corner Entry Sliding Door
- Glass Thickness: 6 mm
- Supplied With Marble Strip



## TS-6223

**Item Code: 140400500528**

**Size : 900 x 900 X 2000mm**

- Tempered Glass
- Heavy Duty Acrylic Tray
- Fancy Handle
- Heavy Duty Aluminium Frame



## TS-5159

**Item Code: 140400500184**

**Size : 900 x 900 X 2000mm**

- Tempered Glass
- Heavy Duty Acrylic Tray
- Fancy Handle
- Heavy Duty Aluminium Frame



# BATH SCREEN



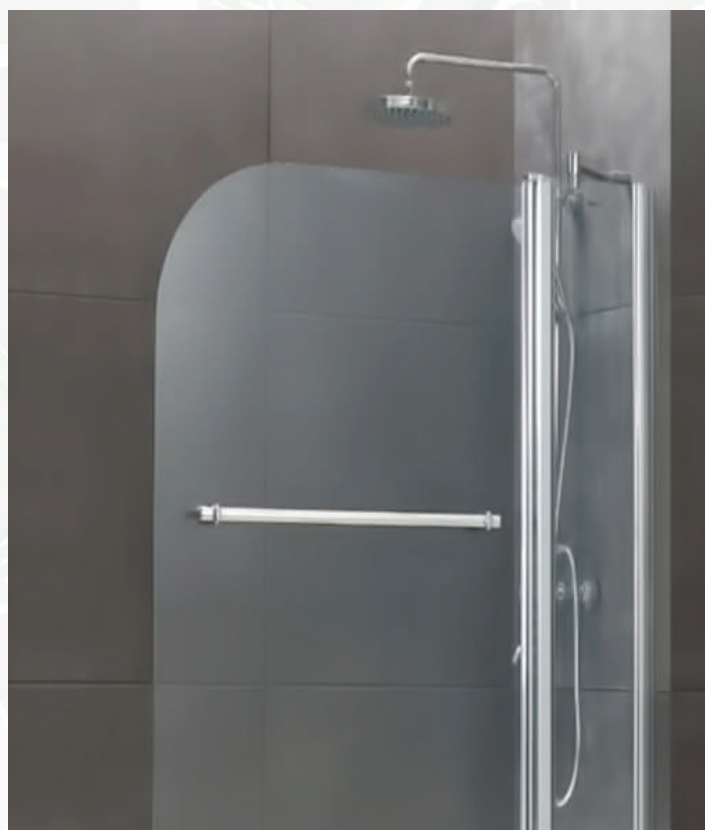
**A056**

**Item Code: 140400500317**

SINGLE BATH SCREEN

SIZE: 800 X 1400 MM

GLASS THICKNESS: 6 MM



**A005**

**Item Code: 140400500318**

DOUBLE BATH SCREEN

SIZE: 1200 X 1400 MM

GLASS THICKNESS: 6 MM



Remodel your traditional bathroom with an incredible balance of sophisticated architectural elegance and high-tech functionality, giving a superior and classy touch. Your bathroom can be elevated with graceful lines and luxurious effects, as our extensive range of shower enclosures and massage bathtubs bring new vision to your life.

## BATHTUB



**FREE STANDING BATHTUB WITH GOLD LEGS**

**Item Code: 140400400094**

**SIZE: 1700x710x770**





**FREE STANDING BATHTUB ACRYLIC**

**Item Code: 140400400077**

SIZE: 1700 x 800 x 600



**KZA-1486**

**Item Code: 140400400090**

SIZE: 1700x800x560



**FREE STANDING BATHTUB ACRYLIC LB 1018W**

**Item Code: 140400400082**

SIZE: 1700x810x680



**ACRYLIC BATHTUB WITH W/2 SIDE PANEL**

**ITEM CODE: 140400400095**

SIZE :170X70X36CM

**ITEM CODE: 140400400096**

SIZE :160X70X36CM

**ITEM CODE: 140400400097**

SIZE :150X70X36CM



**ACRYLIC BATH TUB 6MM THICKNESS**

**ITEM CODE: 140400400075**

SIZES :180X70X38CM

**ITEM CODE: 140400400072**

SIZES :170X70X38CM

**ITEM CODE: 140400400073**

SIZES :160X70X38CM

**ITEM CODE: 140400400074**

SIZES :150X70X38CM



# SHOWER TRAY



**CERAMIC SHOWER TRAY - CORNER**  
**Item Code: 140500600004**  
 SIZES : 900 X 900 X 100MM



**CERAMIC SHOWER TRAY- SQUARE**  
**Item Code: 140500600003**  
 SIZES : 900 X 900 X 100MM



**ACRYLIC SHOWER TRAY**  
**Item Code: 140400300001**  
 SIZES : 800 X 800 MM

**Item Code: 140500600002**  
 SIZES : 800 X 800 X 100MM

**Item Code: 140500600001**  
 SIZES : 800 X 800 X 100MM

**Item Code: 140400300006**  
 SIZES : 700 X 700 MM

## SHOWER TRAY - SMC



**SMC SHOWER TRAY- CORNER**  
**Item Code: 140400300025**  
 Size: 800X800X40



**SMC SHOWER TRAY- ROUND**  
**Item Code: 140400300028**  
 800X800X140  
**Item Code: 140400300029**  
 900X900X140



**SMC SHOWER TRAY- SQUARE**  
**Item Code: 140400300026**  
 Size: 900X900X40



**SMC SHOWER TRAY- SQUARE**  
**Item Code: 140400300030**  
 Size: 800X800X140  
**Item Code: 140400300031**  
 900X900X140



**SMC SHOWER TRAY- RECTANGLE**  
**Item Code: 140400300027**  
 Size: 1200X800X40



# PLUMBING ACCESSORIES

It is important to find the right material for a hygienic bathroom space. We bring to you some exceptional plumbing products that are finest in quality and suit all of your functional needs. We guarantee valuable quality, brilliant surfaces and excellent functionality for your personal requirements.







A wide range of very important items whose quality & functionality helps you enjoy the perfect bath experience

## BOTTLE TRAP



**CP BOTTLE TRAP SINGLE**  
**ITEM CODE: 140800200075**  
SIZE : (1-1/4")



**PVC BOTTLE TRAP SINGLE**  
SIZE : (1-1/2")  
**ITEM CODE: 140800200085**  
SIZE : (1-1/4")  
**ITEM CODE: 140800200084**



**PVC BOTTLE TRAP SINGLE**  
SIZE : (1-1/2")  
**ITEM CODE: 140800200086**

## POP - UP



**BRASS POP-UP WASTE**  
**ITEM CODE: 140400500338**

## OVER FLOW



**AUTOMATIC PVC OVERFLOW**  
**ITEM CODE: 140800200087**



**AUTOMATIC BRASS OVERFLOW**  
**ITEM CODE: 140400500226**

# ANGLE VALVE



**SQUARE ANGLE VALVE**  
1/2" X 1/2" WITH ROSET  
**ITEM CODE:**  
**140800300063**



**EAGLE**  
1/2" X 1/2" WITH ROSET  
**ITEM CODE:**  
**140800300221**



**CROWN**  
1/2" X 1/2" WITH ROSET  
**ITEM CODE:**  
**140800300198**



**ROYAL**  
1/2" X 1/2" WITH ROSET  
**ITEM CODE: 140800300219**



**STOLBERG**  
1/2" X 1/2" WITH ROSET  
**ITEM CODE: 140800300064**



**HEAVY DUTY ANGLE VALVE**  
1/2" X 1/2" WITH ROSET  
**ITEM CODE: 140800300174**

Choose your preferred visual solution among these different drain models.

# FLOOR DRAIN



## FLORENCE LINEAR FLOOR DRAIN SS304

SIZES : 500 X 70 X 90 MM

**ITEM CODE:**  
**140400500339**

600 X 70 X 90 MM

**ITEM CODE:**  
**140400500368**

700 X 70 X 90 MM

**ITEM CODE:**  
**140400500369**

800 X 70 X 90 MM

**ITEM CODE:**  
**140400500340**



## (HC10) FLOOR DRAIN SS-304

**ITEM CODE: 140400500280**

SIZE: 15 X 15 CM

**ITEM CODE: 140400500328**

SIZE: 10 X 10 CM



## CONCEALED FLOOR DRAIN

**ITEM CODE: 140400500394**

SIZE: 10 X 10 CM



## (HC016) FLOOR DRAIN PUSH TYPE SS304

**ITEM CODE: 140400500281**

SIZE : 15 X 15 CM





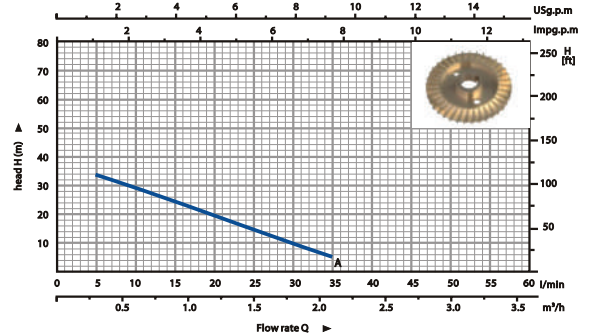
# **WATER PUMP & PRESSURE CONTROLLER**

# PERIPHERAL PUMP



MKM60

Performance Chart AT n = 2850RPM



## Application

Suitable for use with **clean water** that does not contain abrasive particles and liquids that are not chemically aggressive towards the materials from which the pump is made .

They are easy to use and are economical , they are ideal for domestic use and in particular for distributing water in combination with small pressure sets and for the irrigation of gardens and allotments.

The pump should be installed in an enclosed environment, or at least sheltered from inclement weather.

## Motor

- ※ Two-pole induction motor(n=2850 r.p.m)
- ※ Insulation **Class B**
- ※ Protection **IP44**
- ※ Continuous service **S1**
- ※ Thermal protector
- ※ Single-phase 220V/50Hz, 60Hz if request

## Operating conditions

- ※ Liquid temperature up to **60°C**
- ※ Ambient temperature up to **40°C**
- ※ Total suction lift up to **8m**

## Component Construction

※ <b>Pump body:</b>	Cast iron, with <b>brass/AISI304 SS insert</b> if request, reduces the risk of impeller seizure
※ <b>Pump support:</b>	Cast iron, with <b>brass/AISI304 SS insert</b> if request , reduces the risk of impeller seizure
※ <b>Motor housing:</b>	Aluminum, Sheet steel for CP130
※ <b>Impeller:</b>	Brass
※ <b>Motor shaft :</b>	Carbon steel, <b>AISI420/304 SS</b> if request
※ <b>Mechanical seal:</b>	Ceramic/Graphite
※ <b>Bearings:</b>	<b>6201 RZ/6201 RZ</b> (0.5HP, VP5M by <b>ZZ</b> ), <b>6202 RZ/6202 RZ</b> (0.75HP&1HP)

NO.	MODEL	POWER		Flow rate Q													
		kW	HP	Q(m³/h)	0	0.3	0.6	0.9	1.2	1.5	1.8	2.1	2.4	2.7	3		
A	<b>MKM60</b>	0.37	0.5	H	38	33.5	29	24	19.5	15	10	5					

ITEM CODE: 140900300118 - MKM 60 .5 hp

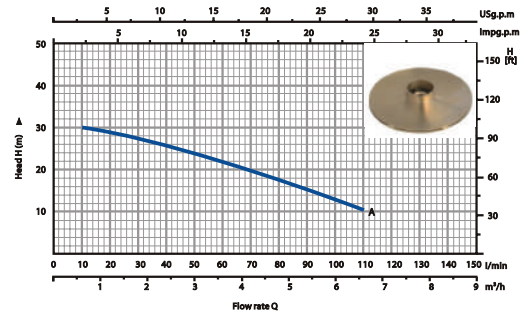
# CENTRIFUGAL PUMP



CPM158



Performance Chart AT n = 2850RPM



## Application

Suitable for use with **clean water** and liquids that are not chemically aggressive towards the materials from which the pump is made.

As a result of their reliability and the fact that they are easy to use, these pumps are widely used in domestic and civil applications such as the distribution of water in combination with small and medium sized pressure sets, for transferring liquids and for the irrigation of gardens and allotments.

The pump should be installed in an enclosed environment, or at least sheltered from inclement weather.

## Motor

- ※ Two-pole induction motor (n=2850 r.p.m)
- ※ Insulation **Class B**
- ※ Protection **IP44**
- ※ Continuous service **S1**
- ※ Thermal protector for single phase
- ※ Single-phase 220V/50Hz, 60Hz if request
- Three-phase 380V/50Hz, 60Hz if request

## Operating conditions

- ※ Liquid temperature up to **60°C**
- ※ Ambient temperature up to **40°C**
- ※ Total suction lift up to **8m**

## Component Construction

※ <b>Pump body:</b>	Cast iron, <b>AISI304 SS</b> for HCT
※ <b>Pump support:</b>	Cast iron, Aluminum for CPM-2&HCT-18S/20S/26S
※ <b>Motor housing:</b>	Aluminum
※ <b>Impeller:</b>	Brass, <b>AISI304 SS</b> for HCT
※ <b>Motor shaft :</b>	Carbon steel, <b>AISI420/304 SS</b> if request
※ <b>Mechanical seal:</b>	Ceramic/Graphite
※ <b>Bearings:</b>	<b>6201 RZ/6201 RZ</b> (0.5HP, except HCT-18S), <b>6202 RZ/6202 RZ</b> (0.75HP&1HP&HCT-18S&HGAM-75) <b>6204 RZ/6204 RZ</b> (1.5HP&2HP&CPM200/200-3), <b>6204 RZ/6304 RZ</b> (HTM) <b>6204 RZ/6205 RZ</b> (HCPF-80)

NO.	MODEL	POWER		Q(m³/h)	0	0.6	1.2	1.8	2.4	3.0	3.6	4.2	4.8	5.4	6.0	6.6	7.2	7.8	8.4	
		kW	HP		0	10	20	30	40	50	60	70	80	90	100	110	120	130	140	
A	<b>CPM158</b>	0.75	1	H	32	30.5	29	27.5	25.8	24	22.5	20.5	18.5	16	13	10				

ITEM CODE: 140900300119 - CPM 158 1hp  
ITEM CODE: 140900300206 -HFM 95 3hp

ITEM CODE: 140900300172 -HGAM80 2hp  
ITEM CODE: 140900300171 - HGAM75 1.5hp

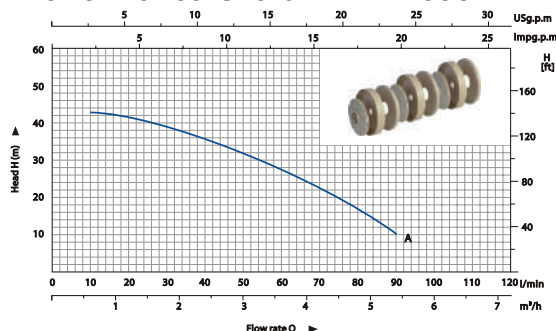


# SELF- PRIMING MULTI - STAGE PUMP



HMC-45A

Performance Chart AT n = 2850RPM



## Application

Suitable for use with **clean water** even where air is present and with liquids that are not chemically aggressive towards the materials from which the pump is made.

The pumps are designed to pump water even in cases where air is present. As a result of their quietness, reliability and low energy consumption they are recommended for use in domestic and civil applications such as the pressurisation and distribution of water in combination with pressure sets, and in rain water recovery and irrigation systems, etc.

The pump should be installed in an enclosed environment, or at least sheltered from inclement weather.

## Motor

- ※ Two-pole induction motor(n=2850 r.p.m)
- ※ Insulation **Class B**
- ※ Protection **IP44**
- ※ Continuous service **S1**
- ※ Thermal protector for single phase
- ※ Single-phase 220V/50Hz, 60Hz if request
- Three-phase 380V/50Hz, 60Hz if request

## Operating conditions

- ※ Liquid temperature up to **60°C**
- ※ Ambient temperature up to **40°C**
- ※ Total suction lift up to **8m**

## Component Construction

※ <b>Pump body:</b>	Cast iron+Stainless steel
※ <b>Pump support:</b>	Cast iron
※ <b>Motor housing:</b>	Aluminum, Alloy for HMC-SD/SE/SF/SP
※ <b>Impeller:</b>	PPO, <b>AISI304 SS</b> if request
※ <b>Motor shaft :</b>	<b>AISI420 SS, AISI304 SS</b> if request
※ <b>Mechanical seal:</b>	Ceramic/Graphite
※ <b>Bearings:</b>	<b>6202 RZ/6302 RZ</b> (HMC-S), <b>6202 RZ/6203 RZ</b> (HMC-IA), <b>6201 RZ/6201 RZ</b> (HMC-SD) <b>6202 RZ/6202 RZ</b> (HMC-SA/SP), <b>6203 RZ/6204 RZ</b> (HMC-SC), <b>6204 RZ /6204 RZ</b> (HMC-SE/SF)

NO.	MODEL	POWER		Q(m³/h)	0	0.6	1.2	1.8	2.4	3.0	3.6	4.2	4.8	5.4
		kW	HP											
A	<b>HMC-45A</b>	0.75	1	H	44	43	40.5	38.5	36	32	27	22	16	10

ITEM CODE: 140900300120 - HMC 45A 1 hp

# AUTOMATIC PRESSURE CONTROLLER

MPC-01



Rated Voltage : 220 - 240V  
 Max Current: 10A  
 Frequency: 50/60Hz  
 Max Power: 1.1Kw/2.2KW  
 Joint Screw: G1" 1  
 Starting Pressure: 1.5bar  
 Max Working Pressure: 10bar  
 Protection Grade: IP65  
 Max Working Temperature: 60° C

ITEM CODE: 140900300108 - MPC-01

MPC-03



Rated Voltage : 220 - 240V  
 Max Current: 10A  
 Frequency: 50/60Hz  
 Max Power: 1.1Kw/2.2KW  
 Joint Screw: G1" 1  
 Starting Pressure: 1.5bar  
 Max Working Pressure: 10bar  
 Protection Grade: IP65  
 Max Working Temperature: 60° C

ITEM CODE: 140900300115 - MPC-03



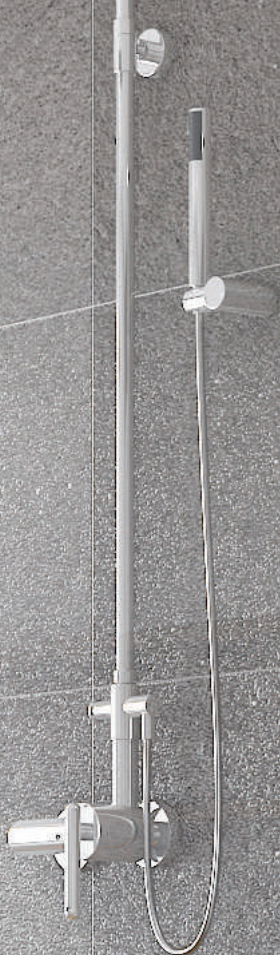
# LUXURY SANITARYWARE

## One Kind of New Life Idea

Milano present a wide range of water closets for you to choose from simple lines to highly designed, Milano sanitaryware will leave you enchanted!











OK-1031



G-001



OK-1031

OK-0003

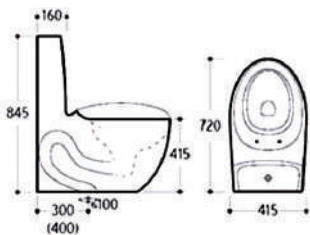
## VALENCIA COLLECTION

The inspiration comes from our love and sentiment for spherical art and smart appearance. The unique design of Valencia will surely touch your soul.

### OK-1031

#### Siphonic One Piece Closet

Size: 720 x 415 x 845 mm  
S-trap, 250 mm Roughing-in  
P-trap, 180 mm Roughing-in

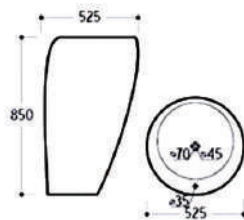


Item Code : 140500100109

### G-001

#### One Piece Basin

Size: 525 x 525 x 850 mm  
Back fix on wall

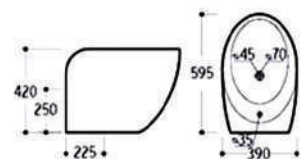


Item Code : 140100200252

### OK-0003

#### Bidet

Size: 595 x 390 x 420 mm  
Back fix on wall



Item Code : 140500300028





OK-1739

OK-2062



## AVIOLA COLLECTION

The bathroom is your personal space. This series crafted through superior technology, will give a top class impact to your master bathroom.

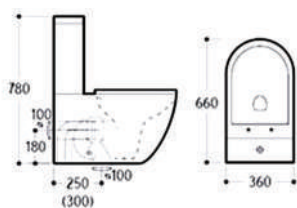
### OK-2062

#### Washdown Close - Couched Closet

Size: 660 x 360 x 780 mm

S-trap, 250 mm Roughing-in

P-trap, 180 mm Roughing-in



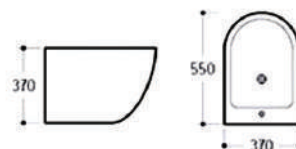
Item Code : 140500100356

### OK-1739

#### Bidet

Size: 550 x 370 x 370 mm

Back fix on wall



Item Code : 140100400111





OK-1651





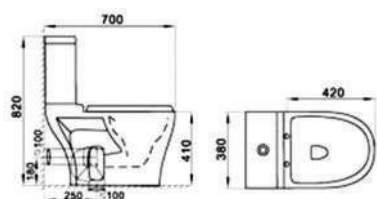
OK-1058

## CLYMORE COLLECTION

An oasis for relaxation characterized by a brand-new vision. This combination represents elegance and sophistication. Clymore, our best seller, your best choice!

### OK-1058 Washdown Close - Couched Closet

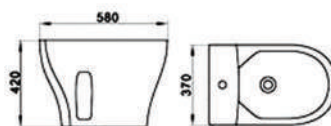
Size: 700 x 380 x 820 mm  
S-trap, 250 mm Roughing-in  
P-trap, 180 mm Roughing-in



Item Code : 140500100100

### OK-1651 Bidet

Size: 580 x 370 x 420 mm  
Back fix on wall



Item Code : 140500300021



EF- 9972

2020



EF- 9972



314

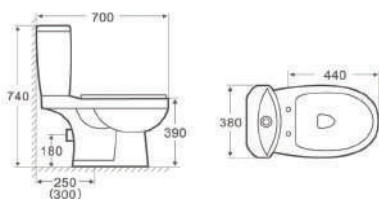
## ACQUA COLLECTION

A beautiful post-modern design will fill your bathroom exquisitely. Perfect for every home.

### 2020

#### Washdown Close - Coupled Closet

Size: 700 x 380 x 740 mm  
S-trap, 250 mm Roughing-in  
P-trap, 180 mm Roughing-in

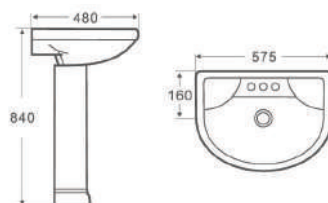


Item Code : 140500100042

### 314

#### Pedestal Basin

Size: 575 x 480 x 840 mm  
Back fix on wall

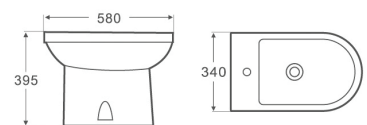


Item Code : 140500200003

### EF-9972

#### Bidet

Size :560 x 350 x 380mm  
Right to wall



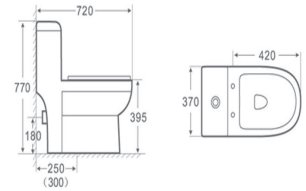
Item Code : 140500300039



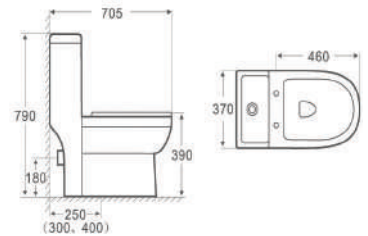
# WC SERIES



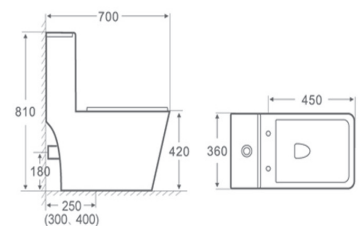
**98A**  
**Item Code : 140500100225**  
**Washdown One Piece Closet**  
**with Dual Flush**  
Size : 720 x 370 x 770mm  
S-trap, 250mm Roughing-in



**0805**  
**Item Code : 140500100215**  
**Washdown One Piece Closet**  
**with Dual Flush**  
Size : 705 x 370 x 790mm  
S-trap, 250mm Roughing-in

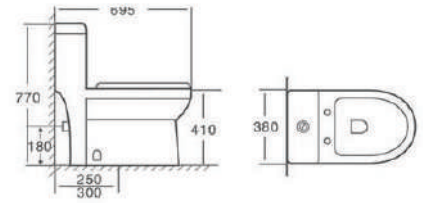


**830**  
**Item Code : 140500100224**  
**Washdown One Piece Closet**  
**with Dual Flush**  
Size : 700x360x810mm  
S-trap, 250/300mm Roughing-in

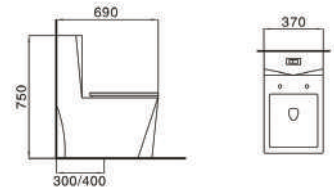




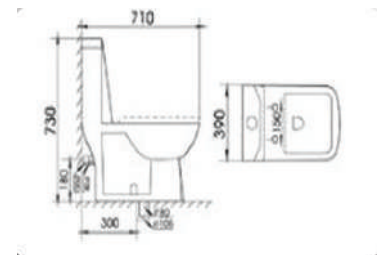
**184**  
**Item Code : 140500100377**  
**Washdown One Piece Closet**  
**with Dual Flush**  
 Size : 695 x 380 x 770mm  
 S-trap, 250mm Roughing-in



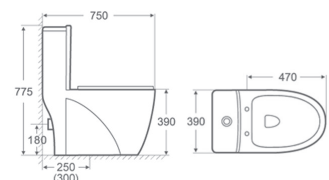
**1310**  
**Item Code : 140500100322**  
**Washdown One Piece Closet**  
**with Dual Flush**  
 Size : 690 x 370 x 750mm  
 S-trap, 250mm Roughing-in



**352**  
**Item Code : 140500100128**  
**Washdown One Piece Closet**  
**with Dual Flush**  
 Size : 710x390x730mm  
 S-trap, 250mm Roughing-in



**0828A**  
**Item Code : 140500100265**  
**Washdown One Piece Closet**  
**with Dual Flush**  
 Size : 750x390x775mm  
 S-trap, 250mm Roughing-in





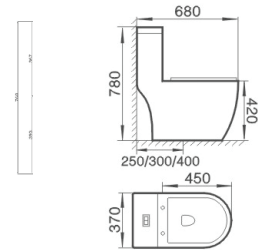
**0832**

**Item Code : 140500100338**

**Siphonic One Piece Closet**

Size : 680x370x780mm

S-trap, 250, 300, 400mm Roughing-in



**279**

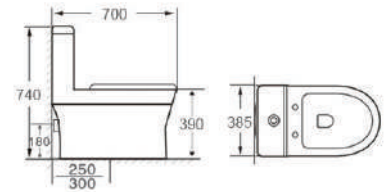
**Item Code : 140500100435**

**Washdown One Piece Closet**

Size : 700 x 385 x 740mm

S-trap, 250, 300 mm Roughing-in

P-trap, 180 mm Roughing-in



**98D**

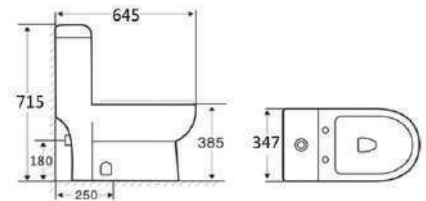
**Item Code : 140500100395**

**Washdown One Piece Closet**

Size : 645 x 347 x 715mm

S-trap, 250mm Roughing-in

P-trap, 180mm Roughing-in



**277**

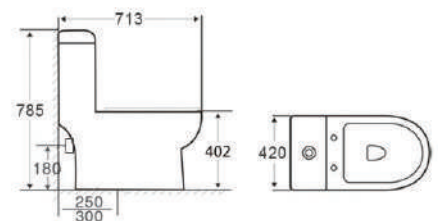
**Item Code : 140500100433**

**Washdown One Piece Closet**

Size : 713 x 420 x 785mm

S-trap, 250, 300 mm Roughing-in

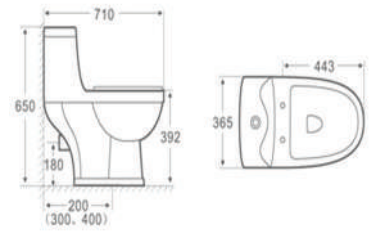
P-trap, 180mm Roughing-in



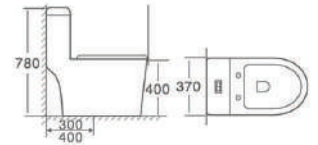




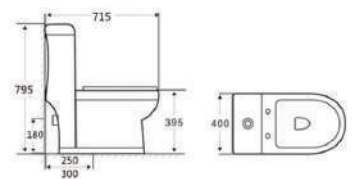
**53**  
**Item Code : 140500100227**  
**Washdown One Piece Closet**  
 Size : 710 x 365 x 650 mm  
 S-trap, 250mm



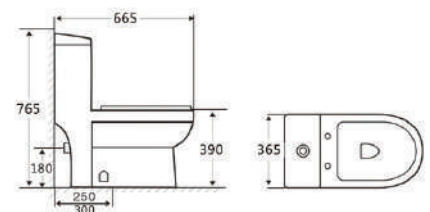
**264**  
**Item Code : 140500100378**  
**Siphonic One Piece Closet**  
 Size : 695x370x780mm  
 S-traP 300, 400mm  
 Roughing-in



**272**  
**Item Code : 140500100397**  
**Washdown One Piece Closet**  
 Size : 715 x 400 x 795mm  
 S-trap, 250, 300 mm Roughing-in  
 P-trap, 180 mm Roughing-in

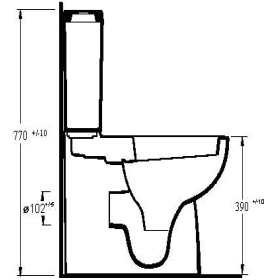
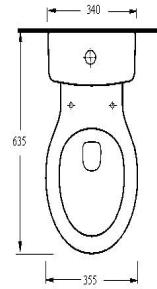


**271**  
**Item Code : 140500100396**  
**Washdown One Piece Closet**  
 Size : 665 x 365 x 765mm  
 S-trap, 250, 300 mm Roughing-in  
 P-trap, 180 mm Roughing-in

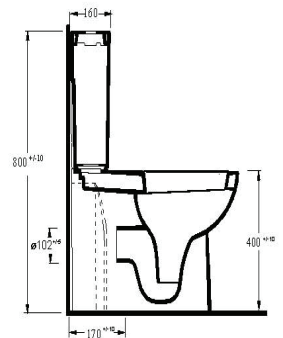
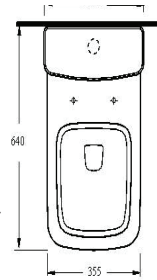




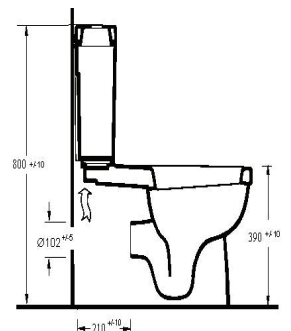
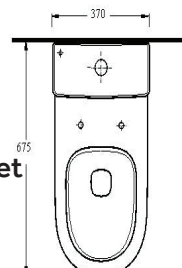
**LYCIA**  
**Item Code : 140500100406**  
**Washdown One Piece Closet**  
 Size : 635 x 355 x 770 mm  
 P-trap, 180mm Roughing-in



**TYANA**  
**Item Code : 140500100404**  
**Washdown One Piece Closet**  
 Size : 640 x 380 x 800 mm  
 P-trap, 180mm Roughing-in

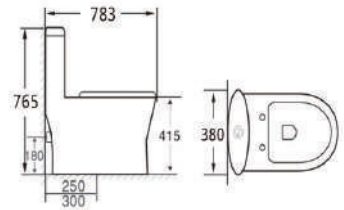


**LAGINA**  
**Item Code : 140500100405**  
**Washdown One Piece Closet**  
 Size : 675 x 370 x 800 mm  
 P-trap, 180mm Roughing-in

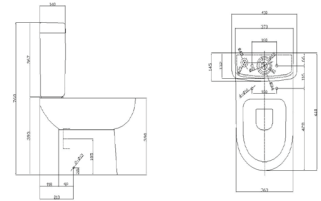




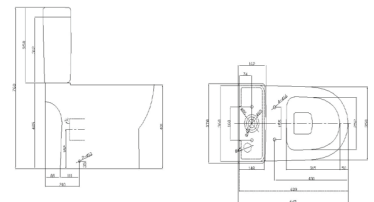
**274**  
**Item Code : 140500100434**  
**Washdown Closet**  
**with Dual Flush**  
 Size : 783x380x765mm  
 S-trap, 250 mm Roughing-in



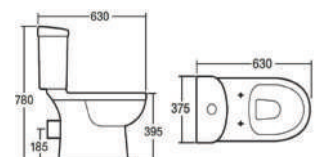
**MFZ-27D**  
**Item Code : 140500100217**  
**Washdown Closet**  
**with Dual Flush**  
 Size : 705x370x790mm  
 P-trap, 180 mm Roughing-in



**MFZ-13**  
**Item Code : 140500100216**  
**Washdown Closet**  
 Size : 720 x 420 x 700mm  
 P-trap, 180mm Roughing-in



**MFZ-21009**  
**Item Code : 140500100228**  
**Washdown Closet**  
**with Dual Flush**  
 Size : 720 x 400 x 680mm  
 P-trap, 185mm Roughing-in





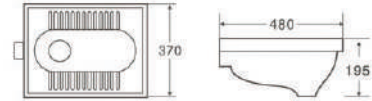
# ASIAN W.C.



**2037**

**Item Code : 140500100293**  
**Squatting Pan W.C.**

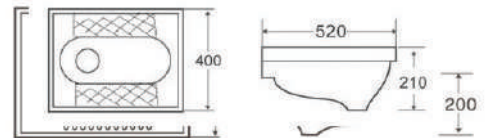
Size: 480 x 370 x 195 mm  
Build in platform  
Gravity- fed flusing system



**2046**

**Item Code : 140500100294**  
**Squatting Pan W.C.**

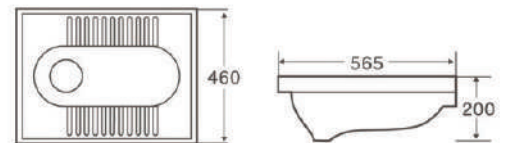
Size: 520 x 400 x 210 mm  
Build in platform  
Gravity- fed flusing system



**2043**

**Item Code : 140500100423**  
**Squatting Pan W.C.**

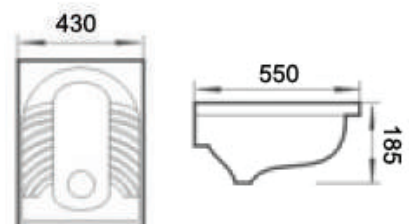
Size: 565 x 460 x 200 mm  
Build in platform  
Gravity- fed flusing system



**ASIAN W.C. #12**

**Item Code : 140500100079**

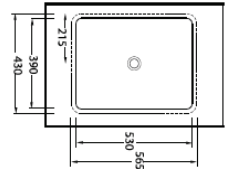
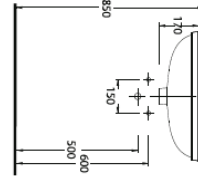
Size : 550 x 430 x 185mm  
Washdown



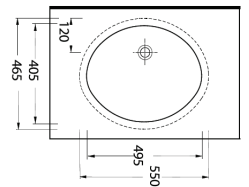
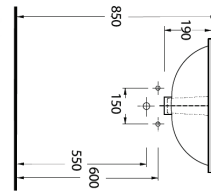
# UNDERCOUNTER BASIN



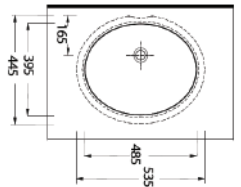
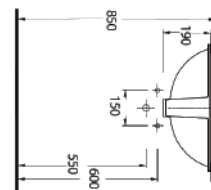
**91561 Pınara**  
**Item Code : 140500200748**  
 Size : 565 x 430 mm  
 Rectangular  
 Undercounter Washbasin



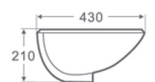
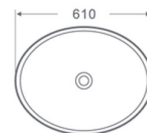
**91551 Pınara**  
**Item Code : 140500200747**  
 Size : 550 x 465 mm  
 Under Counter Wash Basin



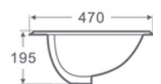
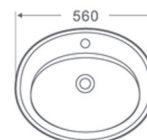
**91531 Pınara**  
**Item Code : 140500200555**  
 Size : 535 x 445 mm  
 Above Counter



**108**  
**Item Code : 140500200533**  
 Size : 610 x 430 x 210 mm  
 Under Counter Wash Basin



**221**  
**Item Code : 140500200575**  
 Size : 560x400x200mm  
 Above Counter

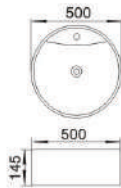


Our wash art collection has rich tones & warm colours & a stunning visual impact on the senses. Lose yourself in Milano design.

# ART BASIN



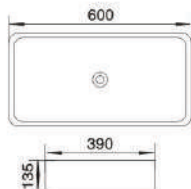
**8049**  
**ART BASIN**  
Size: 500x500x145mm  
Above counter mounting



Item Code : 140500200735



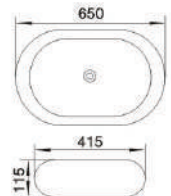
**2261C**  
**ART BASIN**  
Size: 600x390x135mm  
Above counter mounting



Item Code : 140500200611



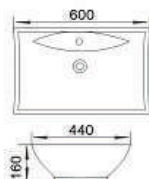
**2306**  
**ART BASIN**  
Size: 650x415x115mm  
Above counter mounting



Item Code : 140500200734



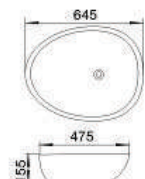
**8044**  
**ART BASIN**  
Size: 600x440x160mm  
Above counter mounting



Item Code : 140500200609



**8030**  
**ART BASIN**  
Size: 645x475x155mm  
Above counter mounting

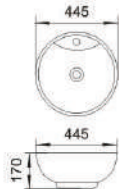


Item Code : 140500200608





**210**  
**ART BASIN**  
 Size: 445x445x170mm  
 Above counter mounting



Item Code : 140500200732



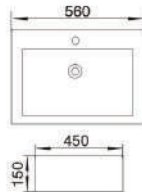
**211**  
**ART BASIN**  
 Size: 460x460x150mm  
 Above counter mounting



Item Code : 140500200607



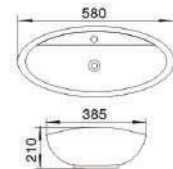
**2258**  
**ART BASIN**  
 Size: 560x450x150mm  
 Above counter mounting



Item Code : 140500200736



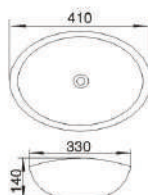
**213**  
**ART BASIN**  
 Size: 580x385x210mm  
 Above counter mounting



Item Code : 140500200733



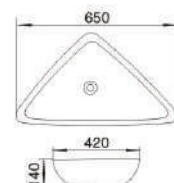
**214E**  
**ART BASIN**  
 Size: 410x330x140mm  
 Above counter mounting



Item Code : 140500200340



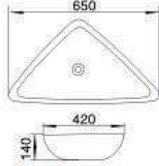
**2219C**  
**ART BASIN**  
 Size: 650x420x140mm  
 Above counter mounting



Item Code : 140500200610



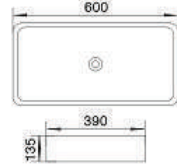
**2219C**  
**ART BASIN**  
 Size: 650x420x140mm  
 Above counter mounting



Item Code : 140500200610



**2261C**  
**ART BASIN**  
 Size: 600x390x135mm  
 Above counter mounting

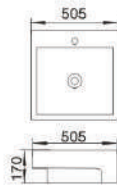


Item Code : 140500200611

## SEMI-RECESSED



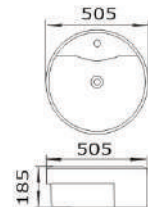
**2251**  
**ART BASIN**  
 Size: 505x505x170mm  
 Above counter mounting



Item Code : 140500200737



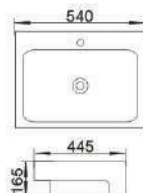
**2787**  
**ART BASIN**  
 Size: 505x505x185mm  
 Above counter mounting



Item Code : 140500200723



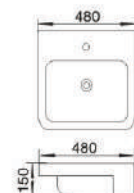
**8050**  
**ART BASIN**  
 Size: 540x445x165mm  
 Above counter mounting



Item Code : 140500200739



**8040**  
**ART BASIN**  
 Size: 480x480x150mm  
 Above counter mounting

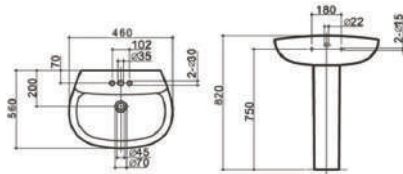


Item Code : 140500200740

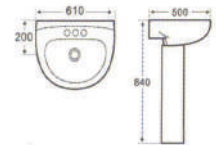
# WASH BASIN



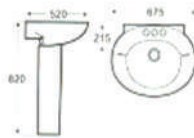
**MB-2272**  
**Wash Basin with Pedestal**  
**Item Code : 140500200606**  
 Size : 460 x 560 x 820mm  
 Fixing to wall with back



**189**  
**Wash Basin with Pedestal**  
**Item Code : 140500200152**  
 Size : 610 x 500 x 840mm  
 Fixing To Wall with Back



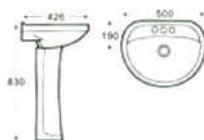
**418**  
**Item Code : 140500200002**  
**Wash Basin with Pedestal**  
 Size : 675 x 520 x 820mm  
 Fixing to wall with back



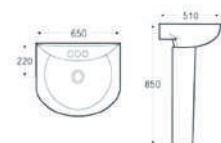
**469**  
**Item Code : 140500200707**  
**Wash Basin with Pedestal**  
 Fixing to wall with back



**207**  
**Item Code : 140500200729**  
**Wash Basin with Pedestal**  
 Size : 500 x 426 x 830mm  
 Fixing To Wall with Back



**269**  
**Wash Basin with Pedestal**  
**Item Code : 140500200070**  
 Size : 650 x 510 x 850mm  
 Fixing To wall with back

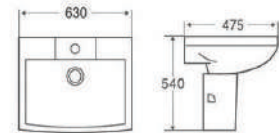




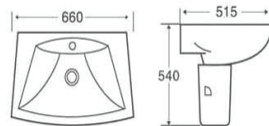
# WALL HUNG WASH BASIN



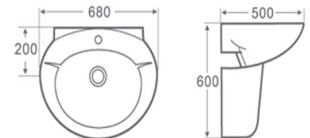
**469A**  
**Item Code : 140500200705**  
**Wall Hung**  
Wash Basin  
Size : 630 x 475 x 540mm



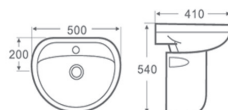
**269A**  
**Item Code : 140500200706**  
**Wall Hung**  
Wash Basin  
Size : 660 x 515 x 540mm



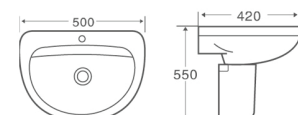
**418A**  
**Item Code : 140500200048**  
**Wall Hung**  
Wash Basin  
Size : 680 x 500 x 600mm



**207A**  
**Item Code : 140500200709**  
**Wall Hung Wash Basin**  
Size : 500 x 410 x 540mm

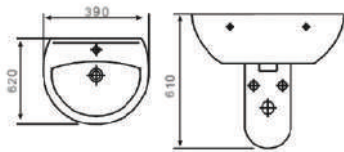


**B16B**  
**Item Code : 140500200163**  
**20" Wall Hung Basin**  
Size : 500 x 420 x 550 mm  
Wall Hung Installation





**EZ-3636**  
**Item Code : 140500200288**  
**Wall Hung Wash Basin**  
 Size : 390 x 620 x 610mm



**R05**  
**Item Code : 140500200445**  
**Wall Hung Wash Basin**



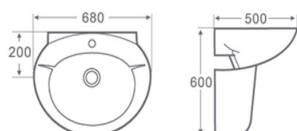
**R03**  
**Item Code : 140500200444**  
**Wall Hung Wash Basin**



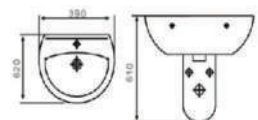
**ON-0013**  
**Item Code : 140500200364**  
**Wall Hung Wash Basin**  
 Size : 560 x 480 x 430mm



**444A**  
**Item Code : 140500200365**  
**Wall Hung Wash Basin**  
 Size : 610 x 470 x 570 mm



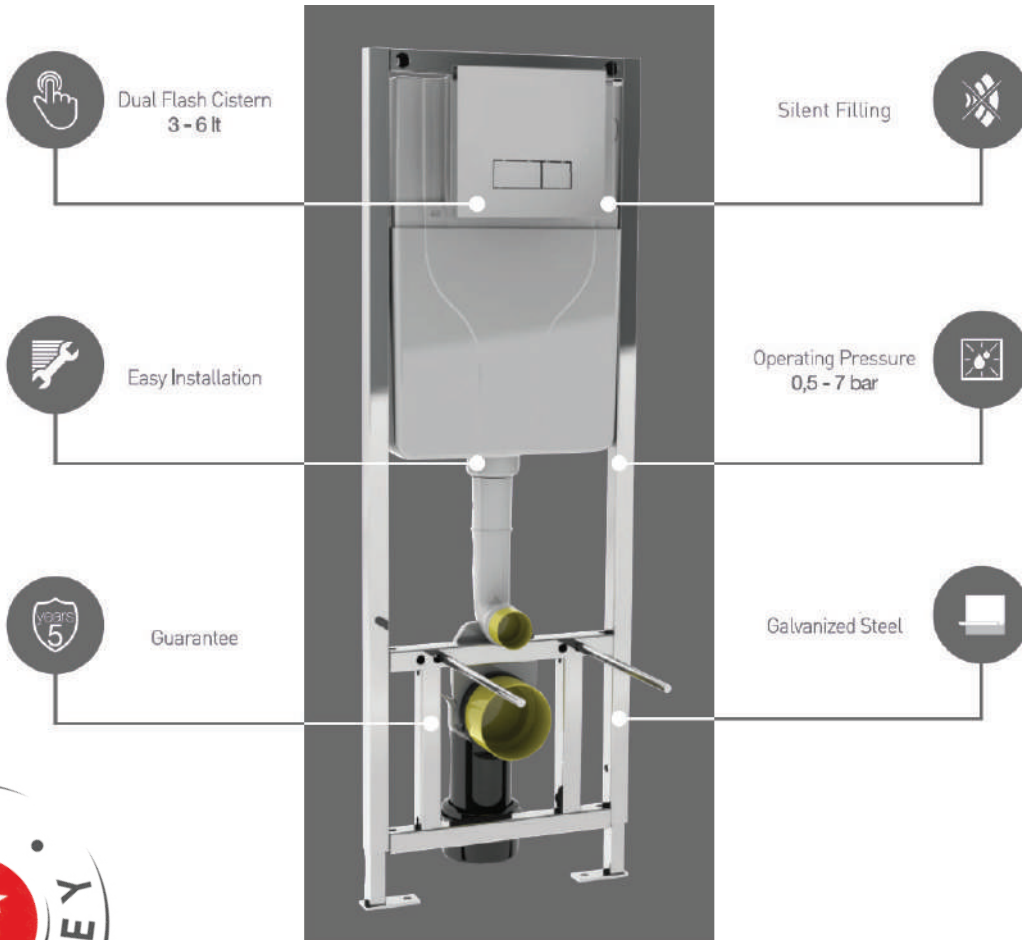
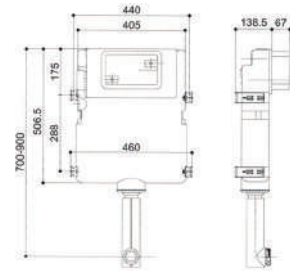
**B09B**  
**Item Code : 140500200164**  
**Wall Hung Wash Basin**  
 Size : 625 x 475 x 540mm



# CONCEALED W.C AND FITTINGS



Concealed Fittings for back to wall water closet (without Frame)  
Item Code : 140500100166



Sanica concealed flush & mechanism  
Item Code : 140500100303



# FLUSH TANK & VALVE



**Flush Tank**  
Item Code : 140500100093



**Concealed Flush Valve**  
Item Code : 140900300207



**Urinal Flush Valve Sensor**  
Model: HSD-320  
Item Code : 140800300222



**Urinal Flush Valve**  
Model: VL- 9922  
Item Code : 140800300223



**Urinal Partition**  
Model: Olymos  
Item Code : 140500400082  
Size : 615x400 mm

## URINAL



**3901 White**  
Wall Hung  
Item Code :  
**140500100375**  
Size : 390x390x660mm  
Fixing To back to wall



**Urinal 158-2**  
Wall Hung  
Item Code :  
**140500400028**  
Size : 300x240x420mm  
Fixing To back to wall



**Urinal 37108 Olymos**  
Item Code :  
**140500500005**  
Size : 335x600 mm  
Fixing To back to wall



# VANITY & MIRROR

A little me-time goes a long way

Time for ourselves is something we all need now and then. That's why we make bathroom furniture that gives you space for everything you need and smart ways to organize it all.







An artistic touch to give elegance & romanticism to a royal bathroom.

**Model: BC 4016-1200**

**Size: 120x48x55**

**Item Code: 140500200618**



he ancient Egypt meets the Rohan empire.  
AS result a regal vanity for the joy of our eyes  
& senses.

**Model: HS P8022**

**Size:80x40x50**

**Item Code: 140500200358**







**Model: HS 78035**

**Size:152x55x60**

**Item Code: 140500200320**

Strong color, Strong lines, refined modern style for this twin vanity.

**Model: HS 26001**

**Size:135x48x50**

**Item Code: 140500200676**

A classic color tough in a beautiful modern design. The perfect choice for your bathroom.







**Model: HS 16142**

**Size: 100x50x50**

**Item Code: 140500200647**

A Modern concept with an enable attitude. Ideal for the vivid souls & strong minds.

**Model: BC 2025**

**Size: 80x47x55**

**Item Code: 140500200616**

Attracted by the color light, Convinced by feeling the nature.



Scandinavian concept & continental European style meet here to guarantee and unforgettable bathroom experience.

**Model: HS 26002**

**Size: 220x54x50**

**Item Code: 140500200677**





Quality, Style, Design, Décor... All at once to make your modern ambient comfortable & fancy.

**Model: HS 856**

**Size: 130x46x47**

**Item Code: 140500200454**







**Model: BC-2023-600**

**Size:70x44x50**

**Item Code: 140500200615**

Bright & Compact, for an excellent bathroom experience.

**Model: HS 858**

**Size:80x48x65**

**Item Code: 140500200456**

A Neoclassic design for a vanity full of life.





**Model: HS 16133**

**Size: 80x46x50**

**Item Code: 140500200700**

Following the western tradition, This vanity evolves from the design acclaimed all around the world.

**Model: HS 16120**

**Size: 130x54x55**

**Item Code: 140500200646**

An astonishing concept for a vanity full of life designed in modern style.







**Model: KZA-1500090**

**Size:90x50x50**

**Item Code: 140500200692**

Modern & Compact Scandinavian style with its typical nature concept for this vanity.

**Model: HS 16068**

**Size:72X47X50**

**Item Code: 140500200726**

Sweet & Compact, A concept that serves well our deserved me-time.







**Model: HS 16271**

**Size:80x46x47**

**Item Code: 140500200761**

Modern, Compact. A Vanity that suits any space, any style.

**Model: HS-P8030**

**Size:100x50x55**

**Item Code: 140500200359**

Pleasant & Warm to the senses. In completes your Bathroom with design delivering a relaxing experience.





Tradition is to be followed if delivers such pieces of art.

**Model: HS 78201**

**Size:100x58x80**

**Item Code: 140500200641**





Give room to yourself! Indulge in a premium experience adding this vanity to your ambient

**Model: HS 16199**

**Size: 120x46x50**

**Item Code: 140500200649**

Model No. HS 16199  
Size: 120x48x50 (3 PCS SET)





Strong design, Decisive color, Modern look for a beautiful vanity concept.

**Model: HS-857**

**Size:80x48x50**

**Item Code: 140500200455**





A Wooden look for the latest European bathroom experience.

**Model: HS 16073**

**Size: 100x50x50**

**Item Code: 140500200645**



From a Natural theme, This vanity meets your needs of design a style.

**Model: HS 16039**

**Size:70x50x40**

**Item Code: 140500200696**







**Model: HS 9120**  
**Item Code: 140500200628**

Main Cabinet Size:  
800X480X600mm  
Mirror Size:  
700 x 500mm  
Side Cabinet Size:  
250 x 140 x 700mm  
Shelf Size:  
700 x 120 x 200mm

**Model: HS 9090**  
**Item Code: 140500200627**

Main Cabinet Size:  
700 x 460 x 500mm  
Mirror Shelf:  
700 x 140 x 700mm





**Model: HS 16222**

**Size:85x46x50**

**Item Code: 140500200702**

A Modern design for this beautiful modern vanity.

**Model: HS 16042**

**Size:120x48x50**

**Item Code: 140500200698**

In Pure northern European style, A Vanity concept for a modern ambient.







**Model: HS 78044**

**Item Code: 140500200321**

Main Cabinet Size:

600x 550 x 600mm

Mirror Size:

500 x 800mm

**Model: HS P8024**

**Size: 70x50x54**

**Item Code: 140500200361**

Brilliant ornaments combined to a sensual design make this vanity irresistible.







**Model: HS 16209**

**Size: 60x48x50**

**Item Code: 140500200727**

Compact & Empire, A satisfying experience without demanding for space.

**Model: HS 16229**

**Size: 82x50x50**

**Item Code: 140500200703**

Contemporary design for this family vanity, A Wild tough in our urban jungle.







**Model: HS 16265**

**Size:60x46x47**

**Item Code: 140500200758**

Sweet & Compact, for the people always on the run.

**Model: HS 16261**

**Size:80X50X45**

**Item Code: 140500200728**

A Modern concept to serve us better bring our deserved me-time.



This Natural modern concept serves your needs of design and functional features.

**Model: HS 16262**

**Size:100x46x48**

**Item Code: 140500200757**





Including with Nature gives peace to your senses and energy to your body & mind.

**Model: HS 16268**

**Size: 85x50x52**

**Item Code: 140500200759**



Nature & Art, 2 of the principles our life should live upon.

**Model: HS 16273**

**Size:100x46x48**

**Item Code: 140500200762**





High quality wood materials for a premium nature life experience.

**Model: HS 16274**

**Size: 80x46x47**

**Item Code: 140500200763**





Modern in design, Classic in functionality perfection as outcome.

**Model: HS 16275**

**Size:100x46x48**

**Item Code: 140500200764**



The Class of the natural, Because mother nature knows better.

**Model: HS 16277**

**Size: 60x48x53**

**Item Code: 140500200766**







**Model: HS 16278**

**Size:80x50x52**

**Item Code: 140500200767**

Linear, Classy, full of life & Nature style.

**Model: HS 16279**

**Size:80x48x53**

**Item Code: 140500200768**

A Premium wood selection, a premium design concept for a premium vanity model.







**Model: MY 70083**

**Size: 81x50x53**

**Item Code: 140500200718**

Modern & Comfort with a touch of nature. A vanity to feel the world.

**Model: MY 70086**

**Size: 62x46x53**

**Item Code: 140500200788**

Northern European design to bring style & a sense of contact with the nature in any bathroom







**Model: MY 70089**

**Size:81x50x51**

**Item Code: 140500200789**

Nordic style & nature meet in this beautiful modern vanity.

**Model: MY 70084**

**Size:120x48x50**

**Item Code:140500200719**

Pleasant for the eyes, Smooth at touch. A relaxing experience to be added in your bath room.





**Model: MY-70090**

**Size:100x50x46**

**Item Code: 140500200790**

The Beauty of light colors and the comfort of modern design. When simplicity does it better...

**Model: HS 1600**

**Size:90x49x52**

**Item Code: 140500200694**

Wooden look, Modern style, Impressive design. The all inclusive vanity.





**Model: HS 16276**

**Size: 70x40x41**

**Item Code: 140500200765**

Full fill your dreams of an exquisite bathroom space with the sophisticated design of modern accessories.



**Model: TS-800****Size: 80x40x59****Item Code: 140500200687**

Royalty style, to rub up brief and modern style, to knit all-round Grace and culture in fissionable bathroom.

**Model: KZA-1407090****Size: 80x50x50****Item Code: 140500200691**

A Modern design, a relaxing & color shade. This vanity helps your senses entering with peace our daily routine.







## Model: HS 78045

Item Code: 140500200360

Main Cabinet Size:  
1800 x 550 x 600mm  
Mirror Cabinet Size:  
550 x 140 x 800mm  
Shelf Size:  
230 x 120 x 600mm



## HS-78066

Item Code: 140500200328

Main Cabinet Size: 800 X460 X480mm  
Mirror Size: 500 x 700mm  
Shelf Size: 600 x 100 x 16mm



## HS-78070

Item Code: 140500200324

Main Cabinet Size: 820 x 470 x 560mm  
Mirror Cabinet Size: 700 x 140 x 700mm  
Side Cabinet Size: 300 x 200 x 700mm  
Shelf Size: 400 x 150 x 35mm





**Model: 7397**

**Size: 60x44x87**

**Item Code: 140500200791**



The Beauty of the nature,  
The marble class,  
The perfect match for the modern  
ambient.

**Model: HS 78067**  
**Size:80X48X57**  
**Item Code: 140500200460**





A Royal touch for your bathroom. A mix of classic and modern style, This vanity grace and culture will catch any eye.

**Model: A 8888**

**Size:160x57x88**

**Item Code: 140500200604**





The harmony of the lines, The indulgence  
of the curves, The life of the colors.  
The perfect vanity for the art covers.

**Model: SS 2277**

**Size:120x50x90**

**Item Code: 140500200671**





Splendid ornaments & details on the surface and edges bring strong visual effect to the bathroom.

**Model: SS 2279**

**Size: 80x52x90**

**Item Code: 140500200674**







**Model: A 8853**

**Size:70x53x70**

**Item Code: 140401100019**

In perfect belle epoque style this vanity suits any bathroom from contemporary to neo-classic design.

**Model: A6688**

**Size:120x53x58**

**Item Code: 140500200603**

Enjoy a post-modern vanity with its compact spaces and linear design, The round edges take your bathroom experience. Very comfortable also for your senses.





An artistic touch to give elegance & romanticism to a royal bathroom.

**Model: SS 2269**

**Size:80x50x88**

**Item Code: 140500200669**



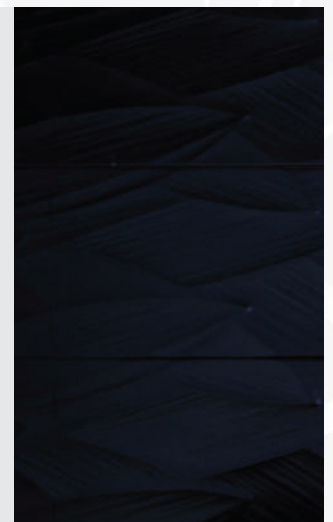
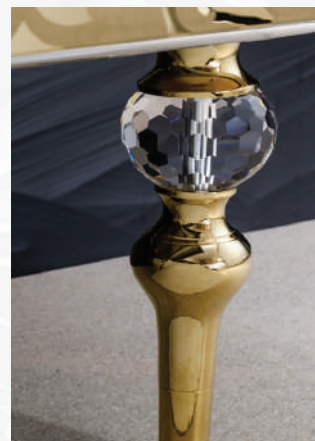


Strong lordliness fits contracted fashion in this epoch with design in brief style.

**Model: A 8896**

**Size:80x54x90**

**Item Code: 140500200605**



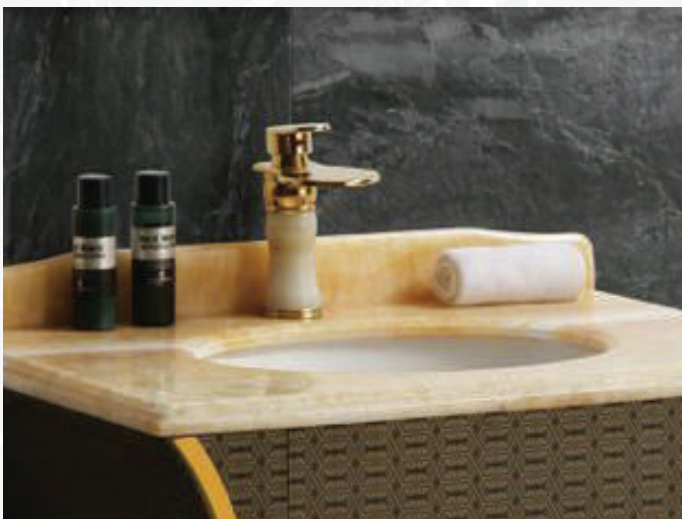


Compact but classy, Simple but elegant. To convey grace to any bathroom

**Model: A8201**

**Size: 75x55x85**

**Item Code: 140401100018**





Royalty style, to rub up brief and modern style, to knit all-round Grace and culture in fissionable bathroom.

**Model: SS 2265**

**Size:95x55x90**

**Item Code: 140500200670**







**Model: SS 2273**

**Size:75x54x90**

**Item Code: 140500200668**

Regal lines, aristocratic outlook. A classy ornament for a classic bathroom

**Model: A 8106**

**Size:80x54x90**

**Item Code: 140401100012**

European freedom and romanticism.

A Juxta position of traditional culture and modern design.  
A piece where the east meets the west







**Model: A 6632**

**Size:80x50x86**

**Item Code: 140500200653**

The mosaic motif to enlighten the room.

A Neo-Classic design for a classy environment.

**Model: A6366**

**Size:80x53x90**

**Item Code: 140500200602**

A Royal touch for your bathroom. A mix of classic and modern style, This vanity grace and culture will catch any eye.





**Model: A 8110****Size: 120x50x90****Item Code: 140500200681**

In pure pop-art life style. This vanity brings back to the 50's / 60's decades. Design & comfort

**Model: SS 2165****Size: 80x54x90****Item Code: 140500200675**

The classic colors black & gold, the modern themes as design. The Neo classic lines to assemble







**Model: 14403EN**

**Size:90x64x88**

**Item Code: 140500200573**

The mosaic motif to enlighten the room.

A Neo-Classic design for a classy environment

**Model: 14403 OG**

**Size:90x64x88**

**Item Code: 140500200662**

They shape with elegant appearance and practical function they help you realize your wish with a golden heart.







**Model: 14407**

**Size: 80x50x90**

**Item Code: 140500200634**

Strong lordliness fits  
Contracted fashion in this ep-  
och with design in brief style.

**Model: 12803**

**Size: 48x44x90**

**Item Code: 140500200574**

The Grace of the curves , The  
pleasure of the ornaments.  
A peace of art in Arabic style.



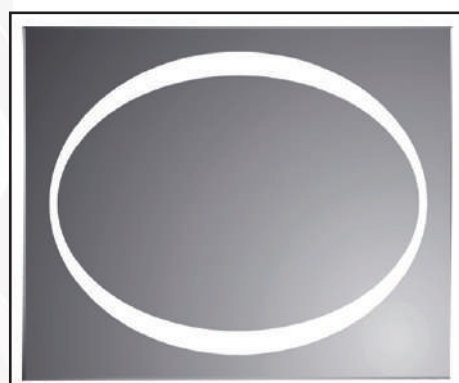




**MODEL:GS-011**  
**Item Code: 140400700073**  
 Size: 800x600mm



**MODEL:GS-005**  
**Item Code: 140400700072**  
 Size: 800x600mm

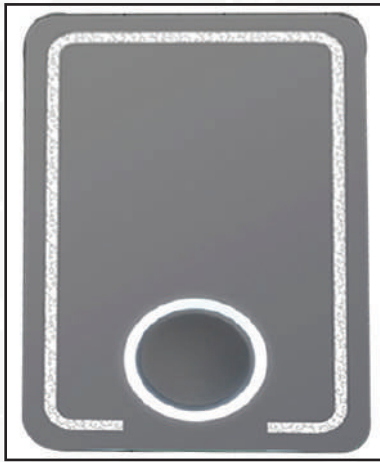


**MODEL:GS-079**  
**Item Code: 140400700077**  
 Size: 800x600mm



**MODEL:GS-051**  
**Item Code: 140400700074**  
 Size: 800x600mm

# LED MIRROR



**MODEL:GS-064**  
**Item Code: 140400700076**  
Size: 800x600mm



**MODEL:GS-054**  
**Item Code: 140400700075**  
Size: 800x600mm



**MODEL:GS-002**  
**Item Code: 140400700071**  
Size: 800x600mm



**MODEL:GS-081**  
**Item Code: 140400700078**  
Size: 800x600mm

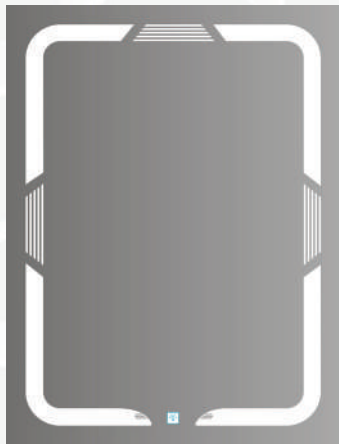


**MODEL:GS-085**  
**Item Code: 140400700079**  
Size: 800x600mm

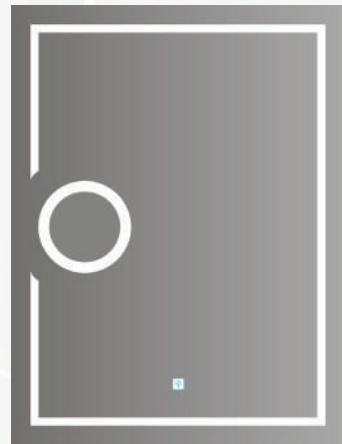


**MODEL:GS-144**  
**Item Code: 140400700080**  
Size: 800x600mm





**MODEL : XD051**  
**Item Code: 140400700113**  
Size: 800x600mm



**MODEL : XD052**  
**Item Code: 140400700114**  
Size: 800x600mm



**MODEL : XD036**  
**Item Code: 140400700112**  
Size: 1200x600mm



**MODEL : XD049**  
**Item Code: 140400700115**  
Size: 1200x600mm

# LED MIRROR



**MODEL : H132**  
**Item Code: 140400700099**  
Size: 500x700mm



**MODEL : H142**  
**Item Code: 140400700098**  
Size: 500x700mm



**MODEL : H162**  
**Item Code: 140400700096**  
Size: 500x700mm



**MODEL : H166**  
**Item Code: 140400700100**  
Size: 500x700mm



**MODEL : H211**  
**Item Code: 140400700097**  
Size: 500x700mm





# MIRROR CABINET



**MODEL:9103**

Item Code: 140401100001  
Size: 300x300x600mm



**MODEL:9302**

Item Code: 140401100002  
Size: 450x140x600mm



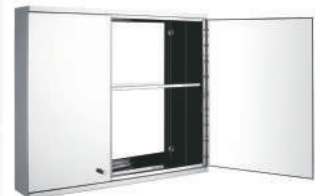
**MODEL:9305A**

Item Code: 140401100003  
Size: 350x140x400mm



**MODEL:9310**

Item Code: 140401100004  
Size: 500x120x700mm



**MODEL:9403**

Item Code: 140401100005  
Size: 600x120x500mm



A high-contrast, black and white close-up photograph of a stainless steel kitchen sink. The image focuses on the curved rim and the textured surface of the metal, showing fine scratches and reflections. A portion of a faucet is visible at the top center, with water droplets or splashes around it. The lighting creates strong highlights and deep shadows, emphasizing the metallic texture.

# **KITCHEN SINK**

## Add Your Style Statement

Choose distinctive style and stunning sink to bring exceptional value and design to your kitchen. We carry an extensive range from simple elegance to the truly inspirational premium models for a brilliant kitchen space.







# SINGLE BOWL KITCHEN SINK

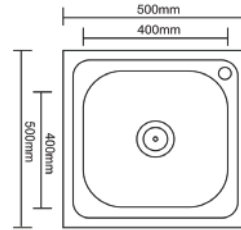


**D5050B**

**Item Code: 140700100098**

Size: 500 x 500 mm

Sink lay on

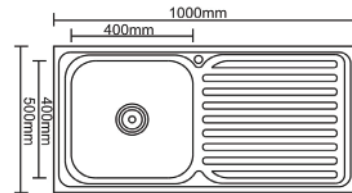


**D10050A**

**Item Code: 140700100099**

Size: 1000 x 500 mm

Sink lay on

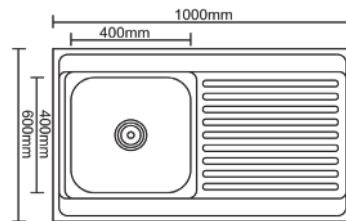


**D10060A**

**Item Code: 140700100100**

Size: 1000 x 600 mm

Sink lay on

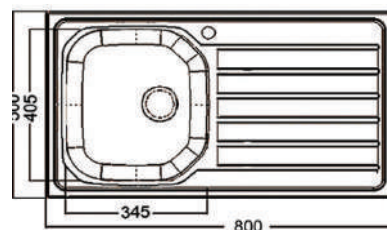


**AE 805**

**Item Code: 140700100097**

Size: 800 x 500 mm

Material: 304# Installation: Insert



# SINGLE BOWL KITCHEN SINK



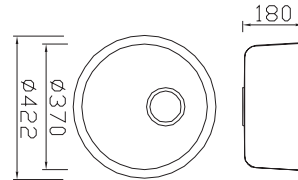
**GF-830A**

**Item Code: 140700100045**

Size: Ø 420 x 180 mm

Thickness: 0.6mm

Material: 304# Installation: Insert

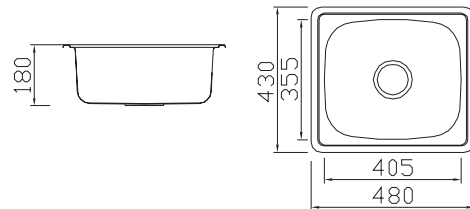


**BL-604**

**Item Code: 140700100029**

Size: 480 x 430 x 180 mm Thickness: 0.6 mm

Material: 304# Installation: Insert

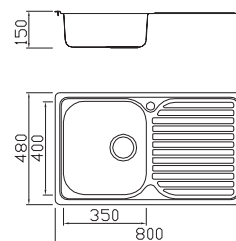


**BL-834B**

**Item Code: 140700100044**

Size: 800 x 480 x 150 mm Thickness: 0.6 mm

Material: 304# Installation: Insert

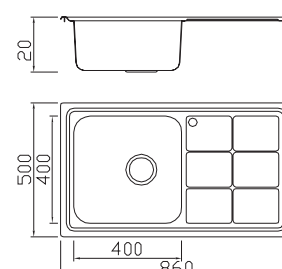


**BL-890**

**Item Code: 140700100060**

Size: 860 x 500 x 200 mm Thickness: 0.8mm

Material: 304# Installation: High Insert





# DOUBLE BOWL KITCHEN SINK

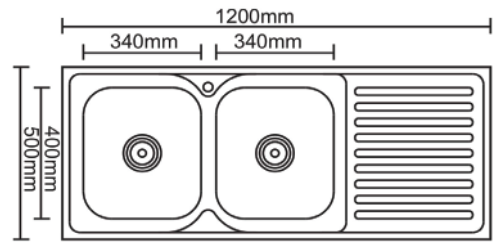


**S12050A**

**Item Code: 140700200091**

Size: 1200 x 500 mm

Sink lay on

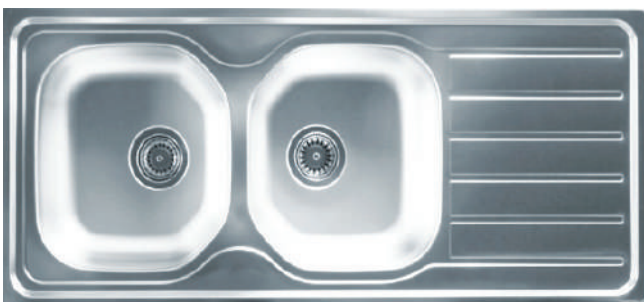
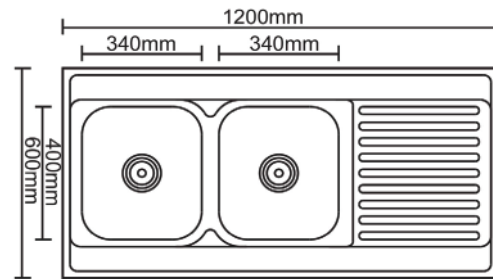


**S12060A**

**Item Code: 140700200092**

Size: 1200 x 600 mm

Sink lay on

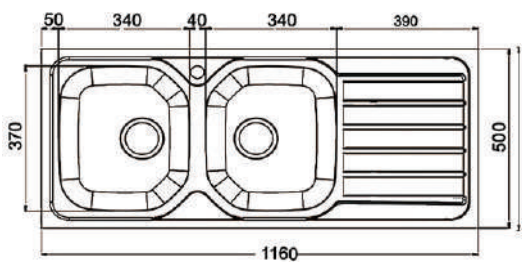


**ML 1165**

**Item Code: 140700200090**

Size: 1160 x 500 mm

Material: 304# Installation: Insert



# KITCHEN SINK

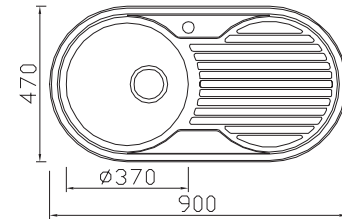
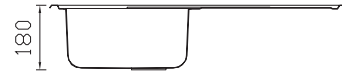


**JY-832A**

**Item Code: 140700100056**

Size: 900 x 470 x 180 mm Thickness: 0.6mm

Material: 304# Installation: Insert

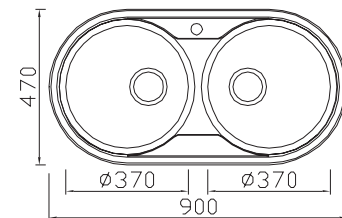


**JY-831**

**Item Code: 140700200034**

Size: 900 x 470 x 180 mm Thickness: 0.6mm

Material: 304# Installation: Insert

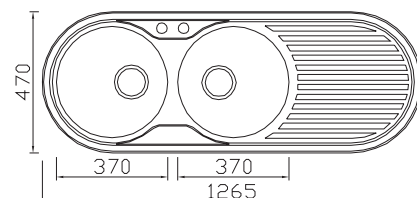


**BL-829**

**Item Code: 140700200033**

Size: 1270 x 470 x 180 mm Thickness: 0.6mm

Material: 304# Installation: Insert





# DOUBLE BOWL KITCHEN SINK

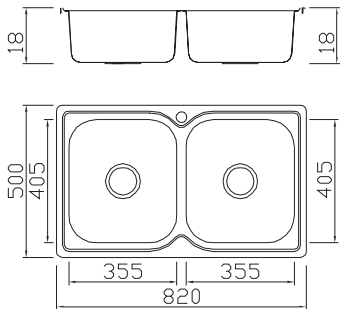


**BL-812**

**Item Code: 140700200088**

Size: 820 x 500 x 180 mm Thickness: 0.6mm

Material: 304# Installation: Insert



# DOUBLE BOWL KITCHEN SINK



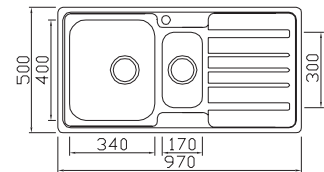
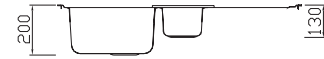
**BL-806**

**Item Code: 140700100073**

Size: 970 x 500 x 200 mm

Thickness: 0.8mm

Material: 304# Installation: Insert



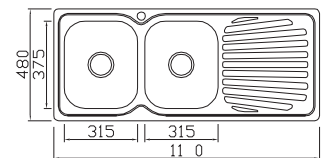
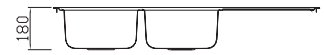
**JY-839**

**Item Code: 140700100063**

Size: 1150 x 480 x 180 mm

Thickness: 0.6mm

Material: 304# Installation: Insert



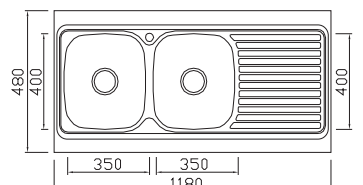
**BL-933B**

**Item Code: 140700200063**

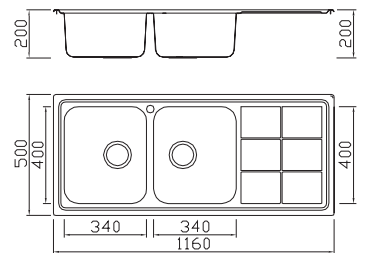
Size: 1180 x 480 x 150 mm

Thickness: 0.6mm

Material: 304# Installation: Insert







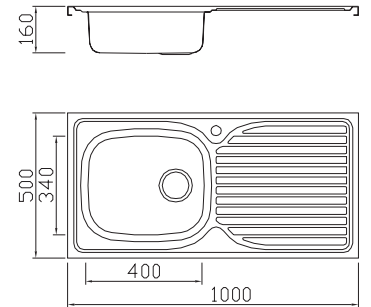
**BL-894**

**Item Code: 140700100061**

Size: 1160 x 500 x 200 mm Thickness: 0.8mm

Material: 304# Installation: High Insert

# LAY ON KITCHEN SINK

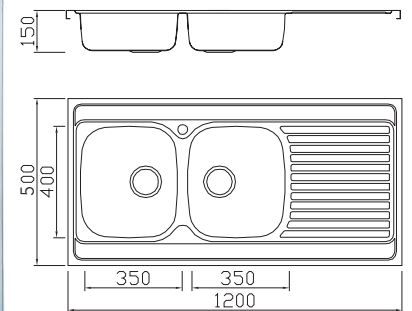


**BL-929**

**Item Code: 140700100072**

Size: 1000 x 500 x 160 mm Thickness: 0.6 mm

Material: 304# Installation: Lay on

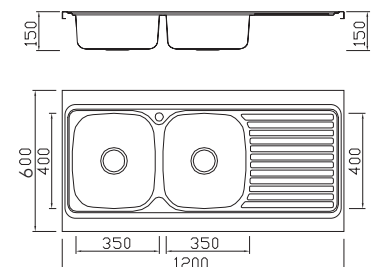


**BL-934B**

**Item Code: 140700200060**

Size: 1200 x 500 x 150 mm Thickness: 0.6mm

Material: 304# Installation: Lay on



**BL-935B**

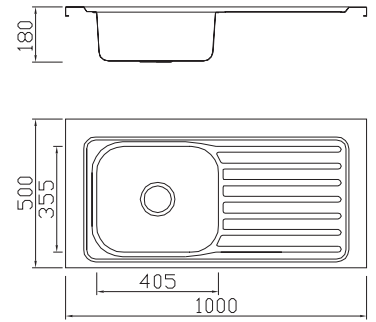
**Item Code: 140700200056**

Size: 1200 x 600 x 150 mm Thickness: 0.6mm

Material: 304# Installation: Lay on



# LAY ON KITCHEN SINK

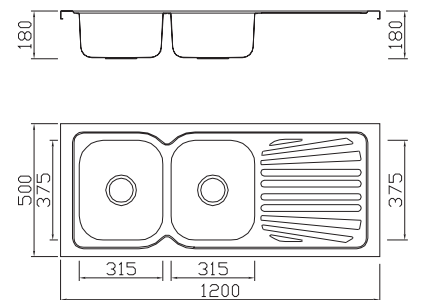


**JY-841**

**Item Code: 140700100054**

Size: 1000 x 500 x 180 mm Thickness: 0.6mm

Material: 201# Installation: Lay on

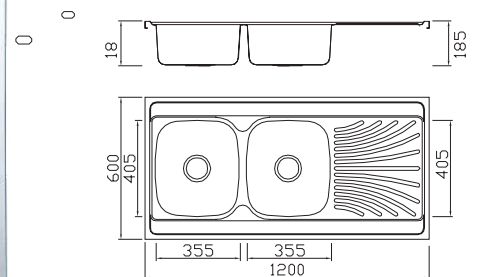


**JY-860**

**Item Code: 140700100053**

Size: 1200 x 500 x 180 mm Thickness: 0.6 mm

Material: 201# Installation: Lay on



**BL-853**

**Item Code: 140700200089**

Size: 1200 x 600 x 180 mm Thickness: 0.6 mm

Material: 201# Installation: Lay on







# **ELECTRIC WATER HEATER**

EXPERIENCE

THE NEW ALL-STAR LINE-UP

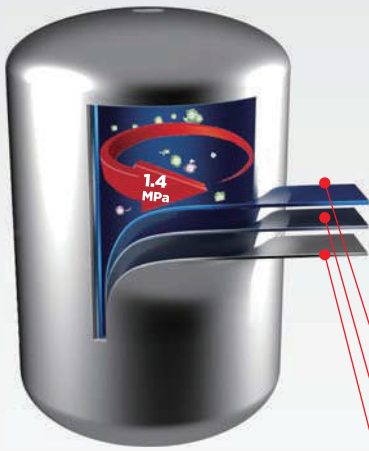
Milano has made water heaters the smart way, to deliver a continuous supply of hot water anywhere in your home. Efficient, convenient and affordable, these units deliver the luxury of fresh, clean hot water for all your needs. The series is built with a state-of-the-art Italian technology and it's meant to endure the test of time. These electric heaters have also been designed to dramatically decrease the cost of operation that translates into significant savings for the end-user. Experience complete comfort, safety and peace of mind with Milano water heaters.



# What's inside:

## Blue Diamond Inner Tank

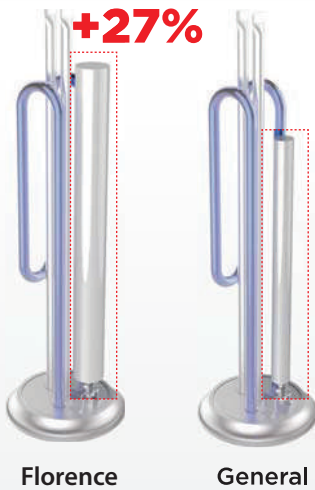
With Single Weld line Design.



- **The enamel layer**  
850 °C high temperature sintering.
- **The adhesion layer**  
The perfect marriage of enamel layer and steel plate layer with micro-powder materials .
- **The decarburization steel plate layer**  
Made of high quality steel and carbon content of less than 0.12.  
Stronger impact resistant for **800000** times!

## Thicker Magnesium Anode

27% larger than general magnesium anode.



## High Impact Resistant Shell

Shockproof by ABS body.



## Top Quality Heating Elements

- ⊗ SUS316L Heating Element
- ⊗ Eng Lai 800 Stainless Steel Heating Element
- ⊗ Copper Heating Element
- ⊗ Enamel Heating Element
- ⊗ **“Dry” Heating Element**



Scale and sediment build up on the surface of standard elements leads to electricity waste and premature failure. Our selfdesign “dry” heating element in the basis of stainless steel heating element increase enamel layer to avoid direct contact with water, offer a stronger resistance to both acid and alkaline substance, helps to prevent sediment formation and extend the life span of the products.

## Special Structure Design Offer Easy Repairing



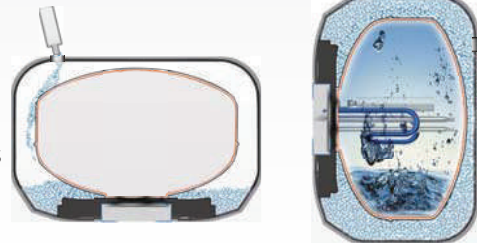
More conveniently disassembly with getting rid off only one screw on the cover, so it is easy to operate with a screwdriver, such as remove a screw to self-repair or replace magnesium stick.

## ENERGY SAVING & ENVIROMENTAL

### Overall Polyurethane Foam

With the microcellular polyurethane foam technology.

All over the microcellular foam between the shell and the inner tank can keep the water warm and prevent heat loss or a long time. So the water heater can save 30% more energy than the traditional products.



### Energy Saving With ECO



The water heater design ECO button aim at user can easy use the hot water by the best temperature. By choosing this function, users will never need to set the water heater temperature again and have a energy and comfortable bath.

## SAFE CARE

### Over-heat Protection

Independent thermo cut-out to stave off water heater over-heat. When the temperature of water exceeds 85C, the water heater will stop working.





# ADVANCE FEATURES

## Remote Control

With exclusive infrared remote control device that can achieve long-range wireless control, more convenient and intelligent.

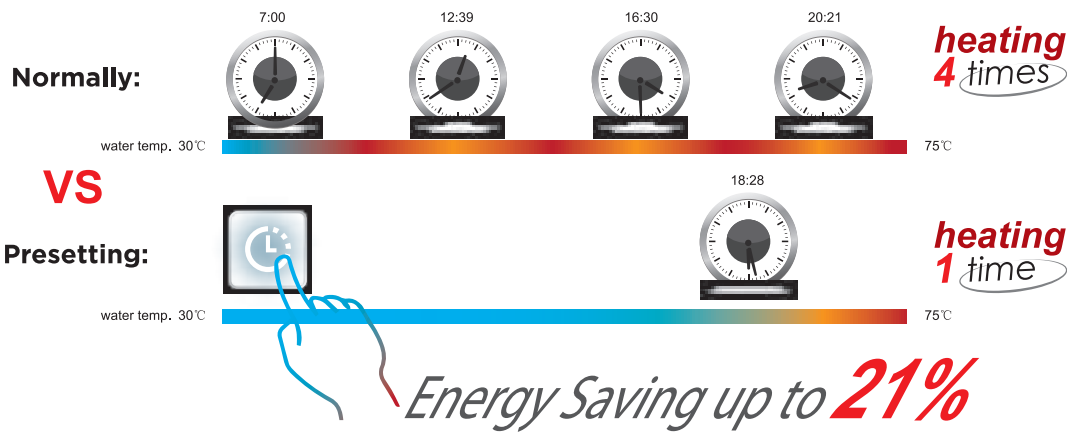
1. "ON/OFF", to turn on or turn off the water heater.
2. "-" button, to decrease the setting temperature or time of reservation.
3. "+" button, to increase the setting temperature or time of reservation.
4. "Reservation" button, to reserve the work pattern of water heater in advance.

For example, if the setting is "03, 70C", then the water heater will heat the water automatically and heat the water to 70C after 3 hours.



## Presetting

Presetting the heat up time for no waiting and energy saving.



# WARRANTY

**2** year | **PRODUCT**

**4** year | **HEATING ELEMENT**

**7** year | **INNER TANK**

**Storage Electric Water Heater**

Terms & conditions apply

**1** year | **PARTS & LABOUR**

**6** year | **DC WATER PUMP**

**6** year | **HEATING ELEMENT**

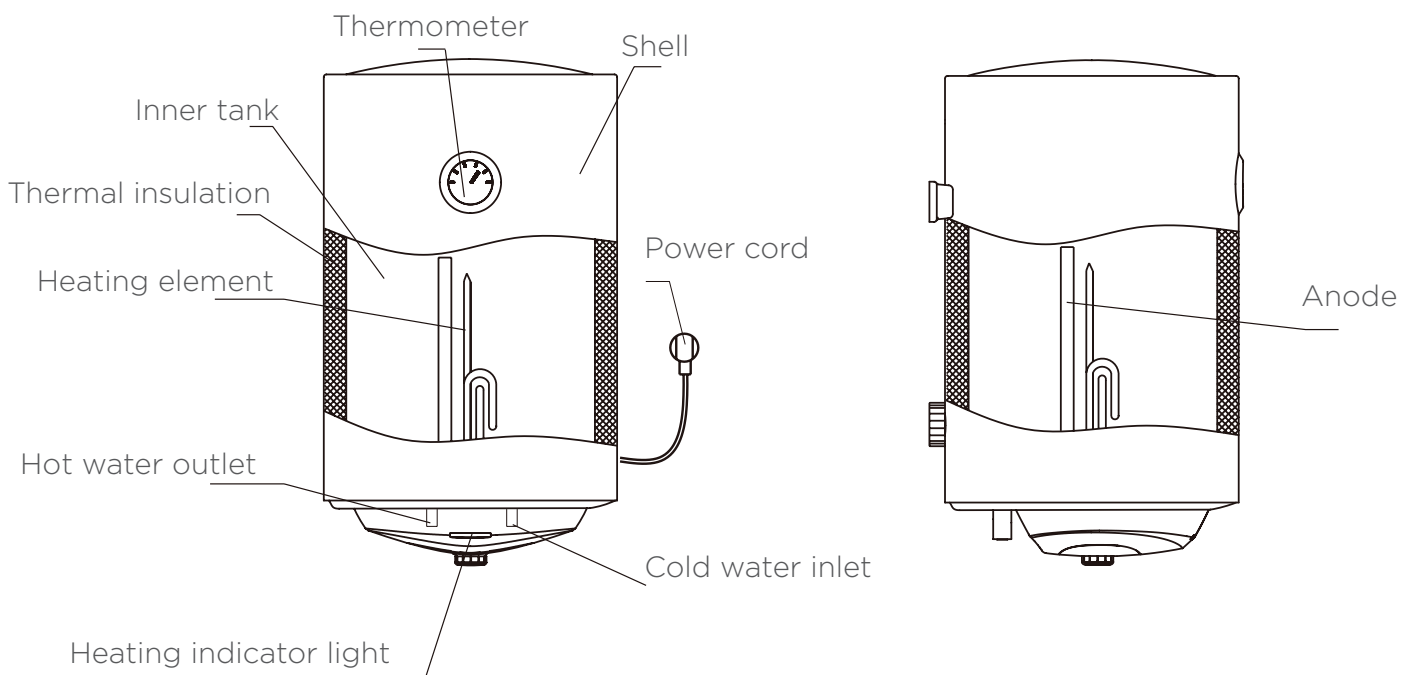
**Instant Electric Water Heater**

Terms & conditions apply

## STORAGE WATER HEATER MAINTENANCE

1. Check the power supply plug and socket frequently to ensure good, reliable contact and are well grounded without overheat phenomenon.
2. If the heater will not be used for a long time, especially in the regions with low atmospheric temperature (lower than  $0^{\circ}\text{C}$ ), in order to prevent the heater to be damaged due to freeze of the water in the inner container, the water inside the heater shall be drained away.
3. It is recommended to clean periodically the inner container and the deposits on the electrical heating components of the electrical water heater.
4. Suggest to examine the anode protection materials every half a year or so. If all the materials have been consumed, please replace with the new one.




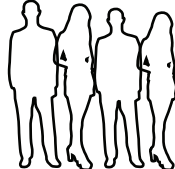



### BRIEF INTRODUCTION OF PRODUCT STRUCTURE







**How to choose the right electric storage water heater for your household.**

				
	10L	15L	15L	30L
	30L	50L	80L	80L
	50L	80L	100L	100L



# COMPACT WATER HEATER





# WATER HEATER

## FWH-10-20YA - FWH-15-20YA

Item Code: 140900200035 - FWH-10-20YA

Item Code: 140900200036 - FWH-15-20YA



Five Star Rated Product



Sapphire Tank



Sapphire Heating Element



Single Weld Line



Overall Polyurethane Foam



ABS Body



Thicker Magnesium Anode



Water Proof IPX4



Anti-Dry-heating Protection



Overheat Protection



Anti-Over-Pressure Protection



Earthing Protection



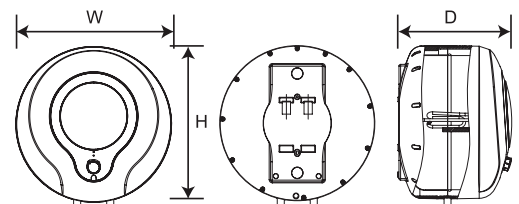
More Protection With ELCB



Easy Repairing

MODEL	FWH-10-20YA	FWH-15-20YA
-------	-------------	-------------

Installation Type	Compact	Compact
Capacity (L)	10L	15L
Knob Quantity	1	1
Rated Power (W)	2000	2000
Rated Voltage (V)	220-240~	220-240~
Rated Frequency (Hz)	50/60	50/60
Rated Max Temp. (C°)	30-65	30-75
Rated Pressure (Mpa)	0.8	0.8
Thickness of Polyurethane (mm)	27	27
Thickness of inner steel tank (mm)	2	2
Dimension of the Anode	Ø18x110	Ø18x157
Net Weight (Kg)	7.50	9.82
Gross Weight (Kg)	8.80	11.43
Net Dimension W/D/H (mm)	360x360x288	396x396x306
Packing Dimension W/D/H (mm)	390x390x325	447x437x351
Load QTY (UNIT) (20'GP/ 40'GP/40'HQ)	381/818/945	400/858/991





# STORAGE WATER HEATER





# STORAGE WATER HEATER

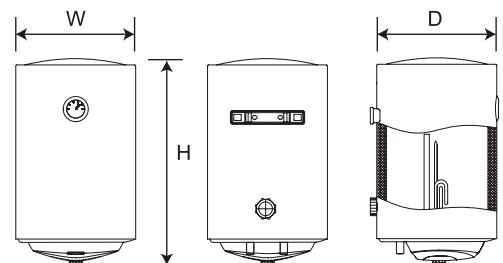
## FWH30-15L1

Item Code: 140900200032



### SPECIFICATION

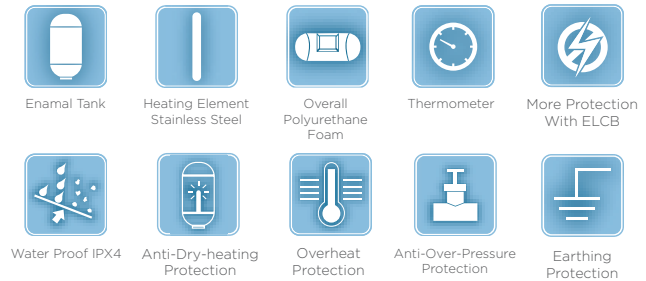
Installation Type	Vertical
Capacity (L)	30L
Knob Quantity	2
Rated Power (W)	1500
Rated Voltage (V)	220-240~
Rated Frequency (Hz)	50/60
Rated Temp. (C°)	30-75
Rated Pressure (Mpa)	0.75
Thickness of Polyurethane (mm)	20
Thickness of inner steel tank (mm)	1.8
Dimension of the Anode	Ø22x234
Net Weight (Kg)	15
Gross Weight (Kg)	17
Net Dimension W/D/H (mm)	Ø340x578
Packing Dimension W/D/H (mm)	418x388x640
Load QTY (UNIT) (20'GP/ 40'GP/40'HQ)	278/582/668



# STORAGE WATER HEATER

## FWH50-15L3

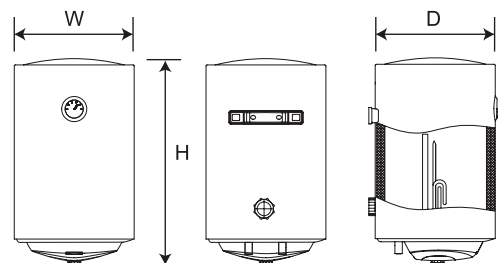
Item Code: 140900200028



### SPECIFICATION

### FWH-50-15F

Installation Type	Vertical
Capacity (L)	50L
Knob Quantity	2
Rated Power (W)	1500
Rated Voltage (V)	220-240~
Rated Frequency (Hz)	50/60
Rated Temp. (C°)	30-75
Rated Pressure (Mpa)	0.75
Thickness of Polyurethane (mm)	20
Thickness of inner steel tank (mm)	1.8
Dimension of the Anode	Ø22x234
Net Weight (Kg)	19.5
Gross Weight (Kg)	21.5
Net Dimension W/D/H (mm)	Ø450x579
Packing Dimension W/D/H (mm)	528x498x640
Load QTY (UNIT) (20'GP/ 40'GP/40'HQ)	168/352/435

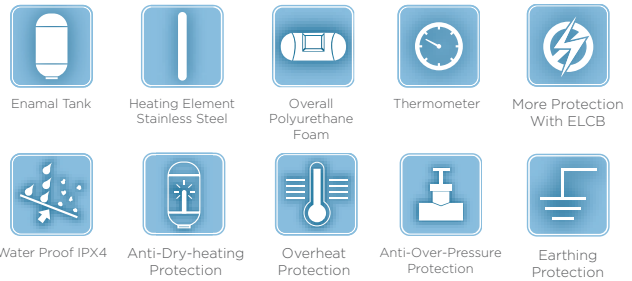




# STORAGE WATER HEATER

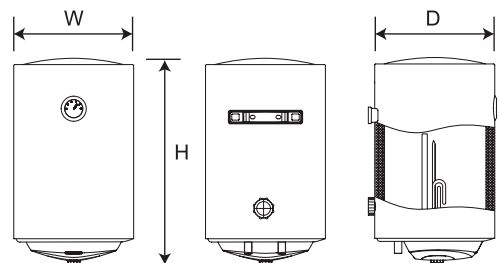
Item Code: 140900200029 - FWH-80-15L3

Item Code: 140900200033 - FWH-100-15L3



MODEL	FWH-80-15L3	FWH-100-15L3
-------	-------------	--------------

Installation Type	Vertical	Vertical
Capacity (L)	80L	100L
Knob Quantity	2	2
Rated Power (W)	1500	1500
Rated Voltage (V)	220-240~	220-240~
Rated Frequency (Hz)	50/60	50/60
Rated Temp. (C°)	30-75	30-75
Rated Pressure (Mpa)	0.75	0.75
Thickness of Polyurethane (mm)	20	20
Thickness of inner steel tank (mm)	2	2
Dimension of the Anode	Ø22x296	Ø22x296
Net Weight (Kg)	25	30
Gross Weight (Kg)	27	32
Net Dimension W/D/H (mm)	Ø450x806	Ø450x972
Packing Dimension W/D/H (mm)	528x498x622	528x498x1010
Load QTY (UNIT) (20'GP/ 40'GP/40'HQ)	121/249/306	88/184/230



# STORAGE WATER HEATER

Item Code: 140900200030 - FWH-50-15A

Item Code: 140900200031 - FWH-80-15A



Enamel Tank



Heating Element  
Stainless Steel



Overall  
Polyurethane  
Foam



Thermometer



More Protection  
With ELCB



Water Proof IPX4



Anti-Dry-heating  
Protection



Overheat  
Protection



Anti-Over-Pressure  
Protection



Earthing  
Protection

## MODEL

## FWH-50-15A

## FWH-80-15A

Installation Type	Horizontal	Horizontal
Capacity (L)	50L	80L
Knob Quantity	1	1
Rated Power (W)	1500	1500
Rated Voltage (V)	220-240~	220-240~
Rated Frequency (Hz)	50/60	50/60
Rated Temp. (C°)	30-75	30-75
Rated Pressure (Mpa)	0.75	0.75
Thickness of Polyurethane (mm)	20	20
Thickness of inner steel tank (mm)	1.8	2
Dimension of the Anode	Ø18x110	Ø22x296
Net Weight (Kg)	18.02	22.8
Gross Weight (Kg)	19.5	24.9
Net Dimension W/D/H (mm)	Ø450x558	Ø450x766
Packing Dimension W/D/H (mm)	505x490x590	505x490x800
Load QTY (UNIT) (20'GP/ 40'GP/40'HQ)	185/398/458	136/293/338





# INSTANT WATER HEATER









# INSTANT WATER HEATER FIWH85F

Item Code: 140900200089



## SPECIFICATION

Installation	Open Type
Rated Voltage (V)	220-240~
Rated Frequency (Hz)	50/60
Rated Power (W)	8500W
Rated Current (A)	38.6A
Required Power cord	2.5mm <sup>2</sup>
Maximum Temperature	85°C
Maximum Outlet Water Temperature	55°C /131°F
Working Water Pressure	0.03-0.6 Mpa
Minimum Flow Rate	1.5L/min
Net/Gross Weight (Kg)	3/4.5
Dimensions (mm)	450/400/130mm
Carton size (mm)	510X400X130mm
Load QTY (UNIT) (20'GP/ 40'GP/40'HQ)	1047/2150/2450

# INSTANT WATER HEATER

## FIWH-45Q

Item Code: 140900200051



Copper Heating Element



Splash-proof IP25 Standard



Stepless Control



Precise Thermal Cut-out



Shower Kit



More Protection with ELCB



Anti-Dry-heating Protection



Overheat Protection



Built-in-Auto Flow Sensor



Earthing Protection



Double Relay

### SPECIFICATION

Installation	Open Type
Knob Quantity	1
Rated Power (W)	4500
Rated Frequency (Hz)	50/60
Rated Voltage (V)	220-240~
Rated Pressure (Mpa)	0
Rated Current (A)	0-21
Dia. Of Power Cord (mm <sup>2</sup> )	2.5
Min. Water Pressure (MPa)	0.02
Max. Water Pressure (MPa)	0.30
Rated Max Temp. (C°)	55
Min. Flow rate (Ltr/Min)	1.20
Water Proof Grade	IP25
Protection against Electric Shock	Class I
Pump (W)	N
Net Weight (Kg)	1.60
Gross Weight (Kg)	3.00
Net Dimension (mm)	224x330x93
Packing Dimension (mm)	580x260x185
Load QTY (UNIT) (20'GP/ 40'GP/40'HQ)	1048/2143/2394



# INSTANT WATER HEATER



SPECIFICATION	Item Code: 14090020094	Item Code: 14090020095
<b>Performance:</b>		
Rated Water Flow (L/Min)	2.0 L/Min	2.0 L/Min
Hot water temperature limit	55°C	55°C
Water Pressure (Min / Max)	min 0.1 Bar ~max 6.0 Bar	min 0.1 Bar ~max 6.0 Bar
<b>Electrical:</b>		
Volts/Hertz	220V a.c. 50/60Hz	220V a.c. 50/60Hz
Rated Power (W)	4500W	4500W
Power tolerance	+5%, -10%	+5%, -10%
Rated Current (A)	20.5A	20.5A
<b>Features:</b>		
Display/Control	LED/ Electronic Variable Control	LED/ Electronic Variable Control
Control function	Adjustable Temp, water flow	Adjustable Temp, water flow
Safety protection	Built-in ELCB, double action thermostat	Built-in ELCB, double action thermostat
Tank	Nylon	Nylon
Heating Element	Copper	Copper
Pump	NA	YES
Pump level control	NA	YES
Flow switch type	Rocket	Rocket
Stop Valve	3 in 1 Compact Stop, Flow and Filter Valve	3 in 1 Compact Stop, Flow and Filter Valve
Water-proof of class	IP25	IP25
<b>Dimensions / Specifications:</b>		
Water connection	1/2" BSP SINGLE POINT SYSTEM	1/2" BSP SINGLE POINT SYSTEM
Qty of the Display box in an outer box	6PCS	6PCS
Display box carton Type	2 Colour brown box	2 Colour brown box
Outer box carton Type	RSC	RSC
Recommended Stack layer	4	4
User manual	A5, BLACK & WHITE, one language	A5, BLACK & WHITE, one language
Accessory	5-way shower accessory with rail	5-way shower accessory with rail

## Choosing Instant water heater – what should we know?

Table showing flow rate intensity at constant increase of the temperature ( $\Delta t$ ) depending on the appliances maximum power output.

Temperature Range	Instant Water Heater maximum power output			
	3.5KW	4.5KW	5.5KW	7.5KW
$\Delta t$ 15°C	3.4 L/min	4.4 L/min	5.3 L/min	7.2 L/min
$\Delta t$ 20°C	2.4 L/min	3.4 L/min	4.5 L/min	5.5 L/min
$\Delta t$ 25°C	2.0 L/min	2.7 L/min	3.5 L/min	4.5 L/min
$\Delta t$ 30°C	1.6 L/min	2.2 L/min	2.8 L/min	4.0 L/min
$\Delta t$ 35°C		2.0 L/min	2.4 L/min	3.2 L/min

$\Delta t$  – Difference between the inlet and outlet flow temperature

X.X. L./min.- indicates hot water flow at fixed power output and fixed temperature increase of the water.

### Recommended use:

- For premises located in areas with higher average annual temperatures
- Subsidiary and offices-garages, basements etc.
- Commercial premises/restaurants, shops, saloons etc.
- For premises that are not constantly occupied summer houses, etc.

### Advantages:

- Instant heating of water takes a few second;
- Unlimited amount of hot water;
- Up to 30% lower electricity consumption compared to storage water heaters. Water is heated only in case of consumption. No heat losses.
- Compact size.



# ICONS GUIDE

## Energy Saving



**20% More Hot Water**

Which is 20% more hot water utilization.



**Five Star Rated Product**

5 star rated product, ensure energy efficiency and reduced electricity bills.



**Silent DC Pump**

D.C silent pump, built-in quite boost pump with energy saving up to 55% comparing to the AC pump.



**ECO Mode Energy saving**

User can have a energy saving and comfortable bath by choosing the ECO function.



**Double Tanks Heating**

Double tanks heating of the same quantity of wate is faster than one-tank heating of general water heater, when several persons take shower.



**Single Tank Heating**

Single tank heating is efficient to save power, when one person takes shower.



**Whirl Flow Technology**

Cold water can be marshalled effectively improve about 20% hot water output rate.

## Save care



**Overheat Protection**

Independent thermo cut-out to protect water heater from overheating.



**Anti Dry-heating Protection**

Prevent temperature from losing control and stop heating when there is little water.



**Precise Thermal Cut-out**

Electronic detector auto shut off in the event of water temperature over 55°C



**More Protection With ELCB**

Prevent people from being electrocuted and avoid leakage events. Absolutely safe!



**Grounding Fault Indicator**

"Earth" light turns off in the event of poor grounding.



**Earthing Protection**

Prevent people from being electrocuted and avoid leakage events.



**Double Relay**

Prevent people from being electrocuted and avoid leakage events. Absolutely safe!



**Anti Over-pressure Protection**

The water heater is attached with safety valve for high hydraulic pressure protection.

## Durable



**New Titanium Enamel Tank And Element**

Advance enamel tech, best heating efficiency and long life time.



**Double Sapphire Enamel Tank**

Typical double-tank design and European enamel tank craft technology make the enamel coating and the steel plate stuck firmly.



**Sapphire Enamel Tank**

European enamel tank craft technology, protects the tank from corrosion.



**Enamel Tank**

Advance enamel tech, protects the tank from corrosion.



**Overall Polyurethane Foam**

Keep the water warm and prevent heat loss for a long time and save 30% more energy than other common water heater.



**Single Weld Line**

Single welded line technology, made of 2mm thickness copper, make heat conduction faster, welded line and enamel coating protects tank best from rust.



**Dry-type Heating Element**

Water and electricity isolation, offer a stronger resistance to both acid and alkaline substance.



**Sapphire Heating Element**

Incoloy 800 or 840 stainless steel with enamel, maintains best performance under high temperature & pressure conditions.



**Copper Steel Heating Element**

Anti rust, corrosion-proof, incrustation-resistant, with longer lifetime.



**Copper Heating Element**

With the 1st dual heating element guarantee the long life time up to 20%.



**Thicker Magnesium Anode**

27% thicker Magnesium anode, rust proof keep the tank from corrosion, ensure a longer life.

## ICONS GUIDE



### High Impact Resistant With ABS Body

High impact resistant shell, shockproof by ABS body.



### Splash-proof IP25 Standard

The water heater pass IP25 splash-proof test for use in humid environment, ensures long lasting use.



### Waterproof Grade: IPX4

The water heater pass IPX4 waterproof test for use in humid environment, ensures long lasting use.

## Comfortable



### Stepless Control

Precise temperature selection.



### Slim Design

Unique body slim design, Save more space of kitchen or wash room for you.



### Vertical & Horizontal

Vertical or horizontal installation up to you.



### 5°C Freezing Protection

Anti-freezing protection, enjoy the warm bath.



### Easy Repairing

Special structure design offer easy repairing.



### Shower Kit

shower assembly.

## Intelligent



### Presetting

Intelligent timer, presetting the heat up time for no waiting and energy saving.



### Memory With Power Down

After power down, restart the water heater will be in the same work pattern before.



### Remote Control

With exclusive infrared remote control that can achieve long-range wireless control.



### Cable Remote Control

With cable remote control plug, more convenient and intelligent.



### Temperature Display

LED display and temperature setting memory function.



### Water Temperature Indicator

To provide users with a simple thermometer.



### Built-in Auto Flow Sensor

Start up heater with water flow as low as 1.2 liter/minute



### Anti Over-pressure Protection

The water heater is attached with safety valve for high hydraulic pressure protection.

## Environmental friendly



### Water-circulation System

Water circulation system provides cleaner water and makes shower more enjoyable.



### Multiple-power Regulation

Accurate temperature setting knob, energy saving and environmental friendly.



### Anti UV

Anti UV Housing, long time use no color change. Easy cleaning.



# **WATER PURIFIER**

Water Purifier is a compact and fashionably piece of Italian design, which can be wall mounted or kept on a desk top. Its purification ensures that you consume 100% pure water.







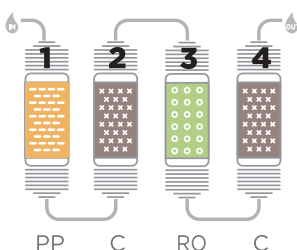


# RO + UV WATER PURIFIER

## DESCRIPTION

Milano RO+UV Water Purifier is a compact and fashionably piece of Italian design, which can be wall mounted or kept on a desk top. Its five stage purification ensures that you consume 100 percent pure water. It comes with free installation and a one year warranty including consumables (filters & membranes) and spare parts.

## FILTRATION FLOW



### Copper Wellness Tank



According to an age old saying in Indian, drinking water from a copper vessel helps reap numerous health benefits.

### Dura Preserve Steel Tank

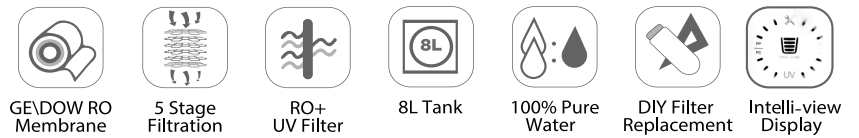


The Dura Preserve Steel tank inhibits bacterial growth and maintains freshness of the water.

### Antibacterial Plastic Tank



The antibacterial plastic tank is treated with N9 silver that prevents the growth of microbes and keeps the water fresh and hygienic.



Item Code	340100100001	Net Dimension W/D/H	340 x 255 x 485mm
Brand	Milano	Package Size	395 x 310 x 590mm
Installation	Free	Applicable Water TDS	<1000ppm
Color	White	Applicable Water Hardness	<450ppm
Installation Type	Vertical	Applicable Temperature	11°C-45°C
Storage Tank Capacity	8L	Applicable Water Pressure	0.03-0.4MPa
Purification Capacity	15 LPH	Applicable PH	6.5-8.5
Net Weight	8.6kg	Applicable Voltage	100-300V
Gross Weight	10.2kg	Applicable Frequency	50-60Hz

### FEATURES:

- 5 stages water purification system
- Double protection RO + UV
- Compact and fashionable design
- Wall mounted + Desktop
- 8L antibacterial food grade water tank
- Airtight tank cover to prevent contamination
- Post UV lamp kills microorganisms before you drink water
- Intelli-view display

### UNIQUE PIPE MANAGER:

The unique Pipe Manager is a boon for the urban kitchen keeping the space de-cluttered and organized as compared to other brands. The pipes can be fixed at the rear of the machine and can be drained easily.

### CONVENIENT DESIGN:

With the option of wall-mounting or placing on the desk-top, the Milano water purifiers are convenient to install, and fit just perfectly anywhere. The water purifier has a slim and stylish design, giving it a premium look.

### AUTO-FLUSH:

The in-built Auto Flushing feature washes off the RO membrane surface at regular intervals so that you do not have to worry about the harmful particles, salt deposits etc. It also improves the life of the RO membrane and increases its efficiency.



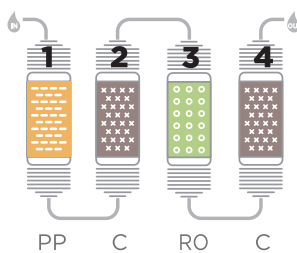


# RO WATER PURIFIER

## DESCRIPTION

Milano RO Water Purifier is a compact and fashionably piece of Italian design, which can be wall mounted or kept on a desk top. Its 4 stage purification ensures that you consume 100% pure water. It comes with free installation and a one year warranty including consumables (filters & membranes) and spare parts.

## FILTRATION FLOW

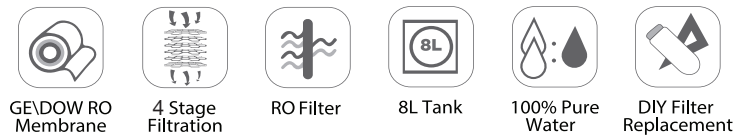


### Antibacterial Plastic Tank



Antibacterial plastic tank is treated with N9 silver that prevents growth of microbes and keeps water fresh and hygienic.





## **SPECIFICATIONS:**

Item Code	340100100006	Net Dimension W/D/H	340 x 255 x 485mm
Brand	Milano	Package Size	395 x 310 x 590mm
Installation	Free	Applicable Water TDS	<1000ppm
Color	White	Applicable Water Hardness	<450ppm
Installation Type	Vertical	Applicable Temperature	11°C-45°C
Storage Tank Capacity	8L	Applicable Water Pressure	0.03~0.4MPa
Purification Capacity	15 LPH	Applicable PH	6.5-8.5
Net Weight	8.6kg	Applicable Voltage	100-300V
Gross Weight	10.2kg	Applicable Frequency	50-60Hz

## **FEATURES:**

- 4 Stages water purification system
- Compact and fashionable design
- Can be wall mounted or kept on a desk top
- 8L antibacterial food grade water tank
- Airtight tank cover to prevent contamination
- LED display with filter life indicators

## **UNIQUE PIPE MANAGER:**

The unique Pipe Manager is a boon for the urban kitchen keeping the space de-cluttered and organized as compared to other brands. The pipes can be fixed at the rear of the machine and can be drained easily.

## **CONVENIENT DESIGN:**

With the option of wall-mounting or placing on the desk-top, the Milano water purifiers are convenient to install, and fits just perfectly anywhere. The water purifier has a slim and stylish design, giving it a premium look.

## **AUTO-FLUSH:**

The in-built Auto Flushing feature washes off the RO membrane surface at regular intervals so that you do not have to worry about the harmful particles, salt deposits etc. It also improves the life of the RO membrane and increases its efficiency.





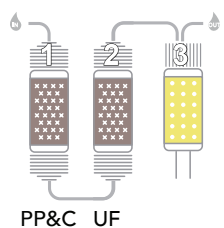
**Instant Hot & Cold Water**

# UF + UV HOT AND COLD WATER PURIFIER

## DESCRIPTION

Milano UF + UV Hot & Cold Water Purifier is compact and fashionably piece of with Italian design which can be placed on a desktop. Its three stages purification cycle ensures that you consume hot, cold and room-temperature purified water. It comes with free installation and a one year warranty on consumables (filters & membranes) and spare parts.

## FILTRATION FLOW

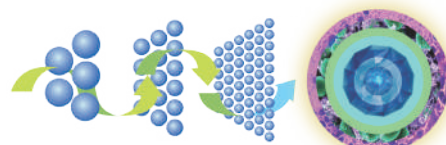


NSF/ANSI Standard 42&53



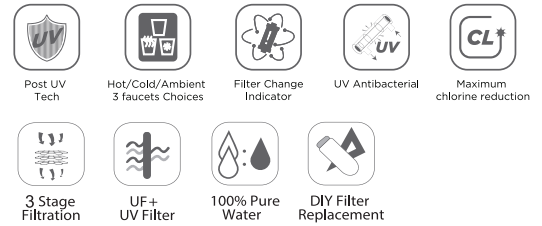
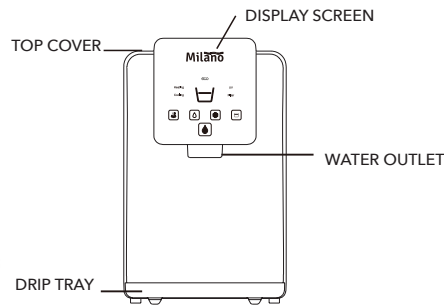
## PROGRESSIVE PARTICLE SEPARATION

0.5  $\mu$ m tiny aperture



## PROGRESSIVE PARTICLE SEPARATION

This process is used to progressively reduce the sediment and rust particles that are picked up from the water delivery system. It reduces parasitic cysts from water and removes odor providing excellent taste.



**SPECIFICATIONS:**

Item Code	340100200003	Applicable Water TDS	<250ppm
Installation	Free	Applicable Water Hardness	<125ppm
Color	White	Applicable Temperature	11°C-45°C
Installation Type	Vertical	Applicable Water Pressure	0.1- 0.4MPa
Hot Water Capacity	4L/h (≥ 85°)	Applicable PH	6.5~8.5
Cold Water Capacity	3L/h (≤ 10°)	Rated Voltage	220-240V
Purification Capacity	72 LPH	Applicable Frequency	50-60Hz
Net Weight	13.5kg	Area for Installation	Kitchen
Gross Weight	14.8kg	Rated Power	555W
Product Size W/D/H	260 x 435 x 425mm	Heating Power	420W
Package Size	322 x 514 x 510mm	Cooling Current	1.0A
		Rated Pure Water Flow	1.2L/min(0.3MPa)

**FEATURES:**

- 3 Temperature Selections
- Indicator for filter lifecycle
- Sterilized water just before you drink (bacteria free)
- Automatic power off system enabled by ECO Mode SMART detector.
- Save 30% energy.
- Go hands free with water volume control
- Maximum chlorine reduction.
- Removes lead, cyst, particulate class 1.

	HOT WATER
	ROOM TEMPERATURE
	COLD WATER
	QUANTITATIVE WATER
	PRESS THIS BUTTON TO GET WATER
	POWER ON





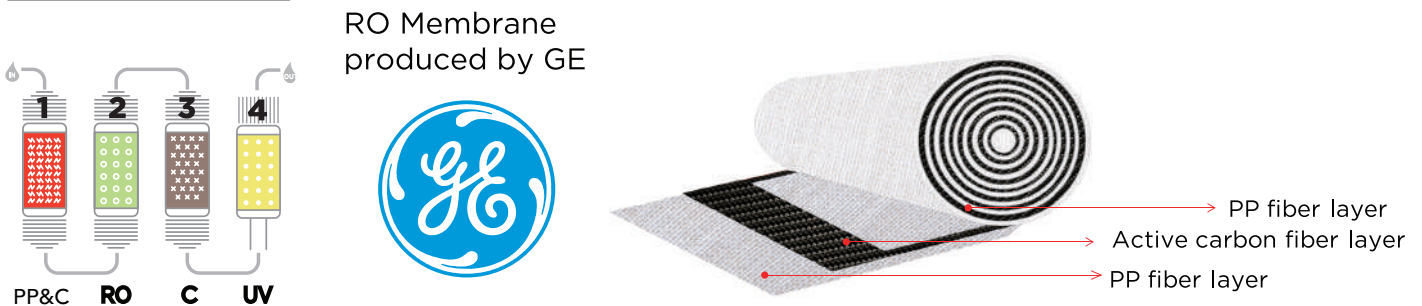


# BEVERLY WATER PURIFIER

## DESCRIPTION

Milano RO+UV under the sink water purifier is a compact and fashionably peice of with Italian design which can be installed under the sink. Its four stages purification ensures that you consume 100% purified water. It comes with free installation and one year warranty on consumables (filters & membranes) and spare parts.

## FILTRATION FLOW



## PROGRESSIVE PARTICLE SEPARATION

PP fiber PAC is rolled up by three layers of PP fiber and carbon fiber. The surface area of the PAC is 15 times bigger than the normal PP, which prolongs the lifetime of the filter with more powerful removal capacity.



Integrated Water-route System



The 4th Generation Cartridge



Without Tank



Great Taste Water

## SPECIFICATIONS:

Item Code	340100200001	Applicable Water TDS	<1000ppm
Installation	Free	Applicable Water Hardness	<450ppm
Color	Golden Color	Working Temperature	4-38°C
Installation Type	Vertical	RO Film Working Pressure	0.4- 0.8MPa
Purification Capacity	60 LPH	Applicable PH	6.5~8.5
Net Weight	9 kg	Applicable Voltage	110-240V
Gross Weight	11 kg	Applicable Frequency	50-60Hz
Net Dimension W/D/H	280 x 200 x 380mm	Area for Installation	Kitchen
Package Size	395 x 313 x 563mm	Purified Water Flow Rate	1.2L/min

General Purified Water Flow Rate: 2000L

## FEATURES:

- 4 Stages purification
- Post UV sterilization
- Integrated water-route system prevent water leakage.
- Provides filtered water
- No pressure tank. Saves more space in your kitchen.
- Waste water ratio is 1:1.





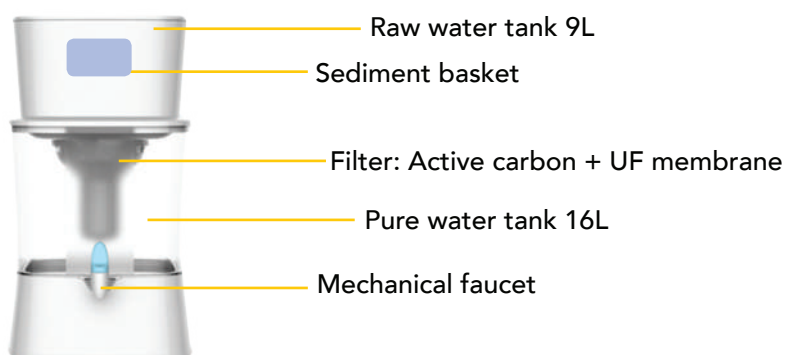


# GRAVITY WATER PURIFIER

## DESCRIPTION

Milano Gravity Water Purifier ensures your family gets purified water with its multi-stages purification process. The UF membrane does not allow bacteria or cysts to pass through.

## FEATURES 25 -L





100% Pure Water



Maximum chlorine reduction



Great Taste Water

## SPECIFICATIONS:

Item Code	340100100005		
Smell and Taste	Removal	Type of Filters	Sediment + Carbon + UF
Color	White	First Stage Filter	Sediment washable
Installation Type	Vertical	Second Stage Filter	Carbon 4000L
Total Purifier Volume	25L	Third Stage Filter	UF 1500L
Upper Tank Capacity	9L	Product Dimention	490 x 304 x 304
Lower Tank Capacity	16L	Packaging	320 x 320 x 315
Initial Purified Volume	30L/H	Oxygen Consumption Reduction Rate $\geq 25\%$	
		Weight of Carbon Material	$\geq 80\%$

## FEATURES:

- Bacteria reduction rate is up to 100%
- Chlorine reduction rate is more than 85%
- Big tank supplies cleaner and healthier water
- Three stages purification
- Unique design

### BETTER TASTE

It reduces the taste and odor of chlorine and other contaminants providing fresh and tasty water.



### PURE WATER

The filter removes impurities that can cause illness.



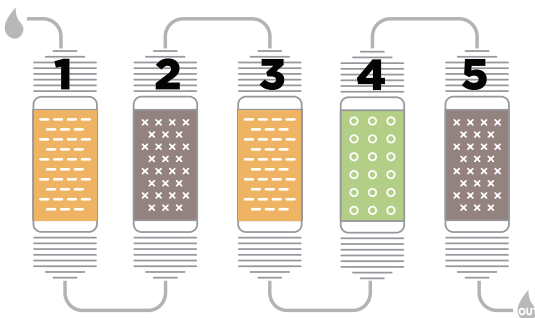


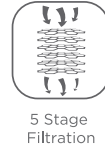
# UNDER THE SINK RO WATER PURIFIER

## DESCRIPTION

Milano RO under the sink water purifier utilizes a five stages high-precision filtration system. The produced water is pure water which tastes better. It has an automatic control system, which makes it easy to use.

## FILTRATION FLOW





### **SPECIFICATIONS:**

Item Code	140900100029		
Color	White	Applicable Water TDS	<1000ppm
Installation Type	Vertical	Applicable Water Hardness	<450ppm
Purification Capacity	7.8 LPH	Working Temperature	4-38°C
Net Weight	10.6 kg	RO Film Working Pressure	0.4- 0.8MPa
Gross Weight	11.9 kg	Applicable PH	6.5~8.5
Package Size (WxLxH)	425 x 425 x 390mm	Applicable Voltage	110-240V
		Applicable Frequency	50-60Hz

### **FEATURES:**

- 5 stages purification
- Automatic flushing RO Membrane
- Superior silent booster pump
- The post carbon stage reduces odor and chlorine, providing great water taste
- Integrated water-route system prevents water leakage







## SINGLE WATER FILTER



Item Code: 140900100046  
High Grade Glass



Item Code: 140900100049  
Material: 10" Spun  
PP Filter Cartridge

### FEATURES

Air Release Button  
Plastic Bracket  
Line Size 3/4  
Spanner  
Pressure

### APPLICATION

Drinking  
Cooking  
Washing

### FILTERS

Dust  
Rust Silt  
Scale  
Sediments

# DOUBLE WATER FILTER



Item Code: 140900100047  
High Grade Glass



Item Code: 140900100050  
Material: 10" Carbon Block Cartridge - CTO

<u>FEATURES</u>	<u>APPLICATION</u>	<u>FILTERS</u>
Air Release Button	Drinking	Dust
Plastic Bracket	Cooking	Rust Silt
Line Size 3/4	Washing	Scale
Spanner		Sediments
Pressure		Chlorine
		Color
		Odor
		Taste

# TRIPLE WATER FILTER



Item Code: 140900100048  
High Grade Glass



Item Code: 140900100051  
Material: 10" Garnular Carbon Filter Cartridge - GAC

<u>FEATURES</u>	<u>APPLICATION</u>	<u>FILTERS</u>
Air Release Button	Drinking	Dust
Plastic Bracket	Cooking	Rust Silt
Line Size 3/4	Washing	Scale
Spanner		Sediments
Pressure		Chlorine
		Color
		Odor
		Taste





Milano Italy Office: Piazza Castello 26,  
20121 Milano (MI), Italy

Website: [www.milanoitalysrl.com](http://www.milanoitalysrl.com)  
E-mail: [sales@milanoitalysrl.com](mailto:sales@milanoitalysrl.com)

**TOLL FREE: UAE - 800 9293**  
**OMAN - 800 31313**  
**BAHRAIN - 8000 1002**

## OUR GLOBAL PRESENCE:

**Regional Office PO BOX:** 18022, Jebel Ali Freezone, Dubai, UAE Tel No: 04 887 1234

Our Branches: U.A.E | Bahrain | Oman | Saudi Arabia | Qatar | Kuwait | India | China | Kenya

Distributor Network:

**Middle East:** Iran | Iraq | Lebanon | Jordan | Syria

**Africa:** Nigeria | Libya | Sudan | Djibouti | Somalia | Ethiopia | Uganda | Rwanda | Tanzania | Kenya | Mauritius | Seychelles

**Asia:** Sri Lanka | Bangladesh | Nepal | Myanmar | Maldives | Pakistan

**CIS:** Russia | Georgia | Turkmenistan | Azerbaijan | Uzbekistan | Tajikistan